

Schmidt Thompson® II™ Abrasive Metering Valve

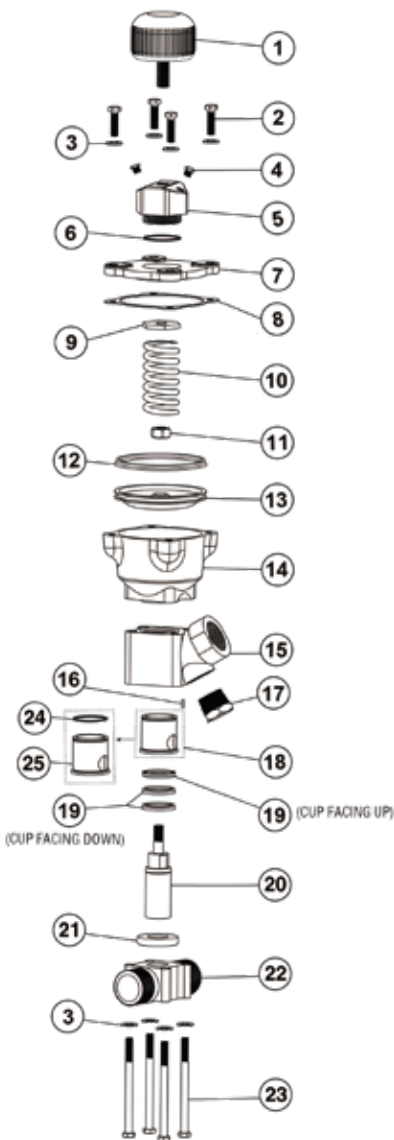


- Rugged, simple, bolted construction
- 1 1/4" (32 mm) thread abrasive inlet port
- Features 1" (25 mm) thread side-cleanout port
- Heavy duty tungsten carbide sleeve
- Specify air connection size
- Threaded-plunger metering design with air actuated operation
- Use HF BTC blast coupling – not included (order separately)
- Suitable for use with all approved blasting abrasives

Part Number	Description
GV 2152007	Series II Thompson Valve 1 1/4" (32 mm)
GV 2152008	Series II Thompson Valve 1 1/2" (38 mm)
GV 215200098	Replacement Seals Kit (Tungsten Carbide). Suits Tungsten Carbide Sleeve (*)
GV 215210098	Replacement Seals Kit (Urethane). Suits Urethane Sleeve (†)
GV 215200099	Service Kit for Series II Thompson Valve (**)

5

Parts Breakdown



Part	Part Number	
1	Knob	GV 215200001
2	Hex Bolt, 3/8" UNC 1 1/4" Lg.	GV 701050707
3	Washer	GV 702750302
4	Breather Vent	GV 215200017
5	Spring Retainer	GV 215200012
6*†**	O-Ring	GV 215200018
7	Cap Plate	GV 215200002
8*†**	Cap Gasket	GV 215200016
9	Vibration Disc	GV 215200025
10	Spring	GV 215200003
11	Nut	GV 214900008
12*†**	Piston Seal	GV 214900004
13	Piston	GV 215200005
14	Cylinder	GV 215200009
15	Body	GV 215200014
16	Sleeve Pin	GV 214900016
17	Plug	GV 3014806
18†**	Urethane Sleeve	GV 215210013
19*†**	Plunger Seal, 1-facing up, 2-facing down	GV 215200006
20**	Tungsten Carbide Plunger	GV 215200007
21*	Seat (Color: Red)	GV 215200010
22a	Hardened Base 1" NPT	GV 215200019
22b	Hardened Pipe Base 1 1/4" (32 mm)	GV 215200015
22c	Hardened Pipe Base 1 1/2" (38 mm)	GV 215200011
23	Hex Bolt, 3/8" UNC 4 3/4" LG	GV 701050795
24*	O-Ring for Tungsten Carbide Sleeve	GV 215200021
25a*	Tungsten Carbide Sleeve	GV 215200013
25b	Tungsten Carbide Keyslot Sleeve for Very Fine medias	GV 215220013
25c	Multiport Sleeve Tungsten Carbide	GV 215232020

* Included in Replacement Seals Kit (Tungsten Carbide)
 † Included in Replacement Seals Kit (Urethane)
 ** Included in Service Kit for Series II Thompson Valve