



SHORTSTOP PnP

Deadman Control System that offers high protection in a compact size.

A product of Axxiom Manufacturing, Inc.

The Schmidt® ShortStop Deadman Control System was sold over two and half decades ago and was originally intended to eliminate a specific cause of inadvertent activation with electrical deadman control lines. Since its inception and launch, ShortStop systems installed throughout the United States have reliably provided added protection and safety to conventional electric Schmidt deadman controls, especially in situations where deadman line shorts are more likely.

Despite its long-proven benefits, this still unique electronic blast control system does have limitations. The original ShortStop Module is enclosed in a relatively larger control box which required mounting and is not easy or convenient to install onto existing or new blast systems. These two limitations combine to contribute to its high price.

The new ShortStop PnP (Plug and Play) effectively provides the same type and level of protection but in a more compact and easy-to-install package. This new configuration weighs less than 1.5 lbs and consists of two small enclosures, each could easily fit or be held in one hand. In addition, the plug-and-play design can be easily and quickly retrofitted onto existing Schmidt blast pots with electrical deadman controls. Installation should take only a few minutes (5 mins). Removing these two limitations has resulted in a much lower selling price.

Inadvertent starting of the deadman control is most often caused by an electrical short due to exposed conductors with worn insulators or a pinched electric deadman extension cord. This system detects the short and prevents the control system from turning on while the electrical is detected.

The logic processing of the ShortStop Control System is the electronic proprietary control module which enables the start of the blast operation provided no electric short is detected between the ShortStop Deadman and the control module. Inversely, if an electrical short is detected between these same two points, the module will disable blast control and revert to fail-safe, disable the deadman, and keep the system off until the short is no longer detected.



Sleek PnP Design



The ShortStop PnP Control Boxes



800-231-2085
AXXIOMMFG.COM



Bulk Blast Pot equipped with the ShortStop PnP

Blast Pot before conversion



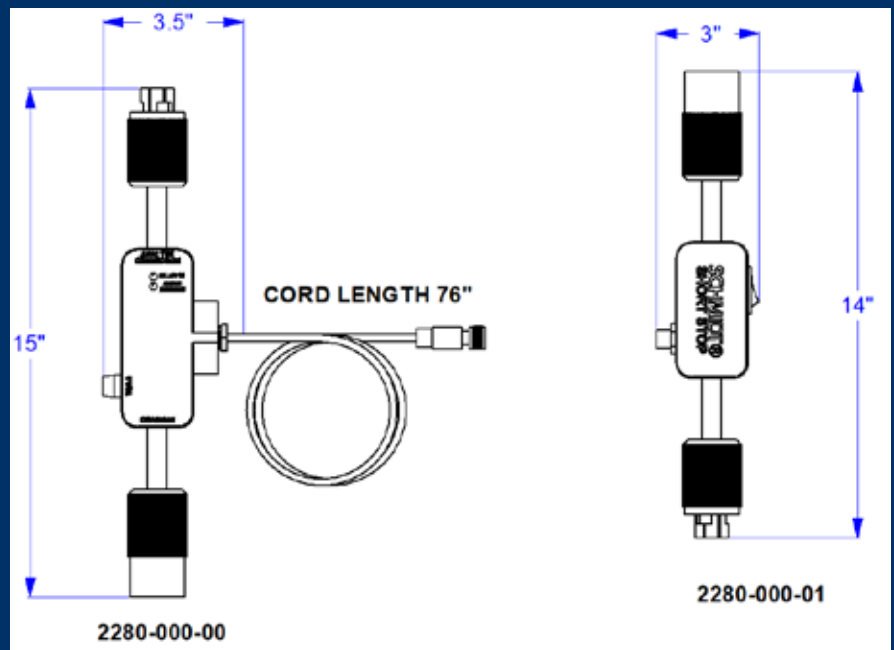
SHORTSTOP PnP

Deadman Control System that offers high protection in a compact size.

A product of Axiom Manufacturing, Inc.

The ShortStop Deadman Control System is ideal for blast rooms with steel grating floors and rooms with platforms for operators to blast above the floor.

The ShortStop Deadman Control System is also available with the abrasive cutoff feature that is activated in the same manner as the standard electric system.



SYSTEM INCLUDES

- ShortStop Electric Deadman (lever style G2 or trigger style G3) or optional ShortStop Deadman with abrasive cutoff (ACO)
- 12VDC XXW ShortStop Control System Module (control module overall 1.5" x 3" x 15" dimensions) Weight 8.0 oz.
- ShortStop Junction Box with Main Switch (overall 1.5" x 3.5" x 15" dimensions) Weight 14.4 oz.
- Power and deadman connectors

Contact your local Schmidt distributor or call Axiom at 800-231-2085 for distributor information.

Axiom Manufacturing, Inc. is the manufacturer of Schmidt products. Certain products manufactured by Axiom are protected by patents and pending applications in the United States and globally. Unless specified otherwise, all trademarks are the exclusive property of Axiom Manufacturing, Inc. © 2021. All rights reserved.

800-231-2085
 AXXIOMMFG.COM



2023/06