

rpb[®] RADEX[™] AIRLINE FILTER

INSTRUCTION MANUAL



CONTENTS

■ Introduction	4
■ Warnings	6
■ Basemount Assembly	7
■ 04-900 Assembly	8
■ 04-906 Assembly	10
■ Operation	12
■ Maintenance	13
■ Parts List	14
■ Instructions in Spanish	16
■ Instructions in German	25
■ Instructions in French	34
■ Instructions in Italian	43

**Read all instructions and warnings before using this product.
Keep this manual for future reference.**

RPB® Safety Global Headquarters

2807 Samoset Rd, Royal Oak, MI 48073, USA.

T: 1-866-494-4599 F: 1-866-494-4509 E: sales.us@rpbsafety.com **rpbsafety.com**

RPB® Safety Asia Pacific Headquarters

652 Halswell Junction Road, Hornby South 8042 New Zealand.

T: +64-3-357-1761 F: +64-3-357-1763 E: sales.nz@rpbsafety.com **rpbsafety.com**

RPB®, Advancing Your Safety®, Nova®, Nova 3®, Radex®, Zytec®, Z-LINK® and T-LINK® are registered trademarks of RPB® Safety LLC

For technical assistance contact our Customer Service Department at 1-866-494-4599 or email: customerservice@rpbsafety.com

FORM #: 62
REV: 8

RADEX AIRLINE FILTER

INTRODUCTION

The Radex® filtration System (Comprising of the Radex® Airline Filter and GX4® Gas Monitor) meets the following specifications when used in accordance with the User Instruction Manual.

ANSI / Compressed Gas Association Commodity Specification for Air, G-7.1-1989.

Federal OSHA 29 CFR 1910.134 “Compressor Operations for Breathing Air” Army Corps of Engineers EM385-1-1, Section 30.F.04.

OSHA Regulations place the responsibility for the quality of compressed breathing air with the user. Compliance with federal, state, or local regulations is the responsibility of the user and this statement does not supersede any existing rules, regulations, or laws which may apply. The Radex® Filtration system meets or exceeds CGA Grade-D specifications for air quality as adopted by OSHA, when the components are used in accordance with the manufacturer’s instructions and recommendations, the “system” meets or exceeds federal regulations presently in force. The user is under obligation to comply with any changes in the law or regulations which may occur.

The Breathing air supply compressor must be located in a safe, clean ambient air environment, constructed and situated so as to prevent entry of contaminated air into the air supply system and as detailed in OSHA Regulation (29 CFR 1910.134(i)) Total system Grade-D air quality must be tested at the time of initial setup. This “safe” location must be tested periodically using the correct instruments to ensure clean ambient air quality on a consistent basis. If the compressor is moved, retesting air quality

is recommended. Should the compressor location or environment significantly change, the air quality should be retested. The compressor filters and oil level should be checked daily and changed during regular scheduled maintenance or when contaminated.

The Radex® Airline Filter Part No. 04-900 is not capable of removing Carbon Monoxide and other toxic Gases from the Compressed Air and requires the GX4® Gas Monitor Part No. 08-400 to be connected to complete a system that is compliant with OSHA regulation 1910.134(i)(7) “For oil-lubricated compressors, the employer shall use a high-temperature or carbon monoxide alarm, or both, to monitor carbon monoxide levels. If only high-temperature alarms are used, the air supply shall be monitored at intervals sufficient to prevent carbon monoxide in the breathing air from exceeding 10 ppm.”

The Radex® Filtration system should be used according to the instructions and recommendations specified in the Users Instruction Manual. The standard filtration package is not explosion-proof and should be located in a non-explosive environment.

The User must perform a Calibration Check monthly or if the accuracy of the monitor is in question, Should the Calibration Check indicate a fault, the unit will provide a service center contact number and email address. Breathing air quality should be tested for, but not limited to, the following Grade-D air components:

- O2 - Oxygen
- CO2 - Carbon Dioxide
- CO - Carbon Monoxide

- H2O - Water (Moisture Content)
- Hydrocarbons (Oil Mist)
- Total Particulates

The maximum allowable level of these air quality components varies depending on the Grade of Air that is required by the user, these Grades are detailed by the Compressed Gas Association Commodity Specification for Air, G-7.1-1989.

 **DANGER !**

Do not connect the Radex® Airline Filter to bottled air that does not have a pressure reducing valve that will reduce the air pressure to a maximum of 150 psig (1034 kpa). Failure to comply with this warning could cause the Radex Airline Filter to explode, causing serious injury or death.

WARRANTY

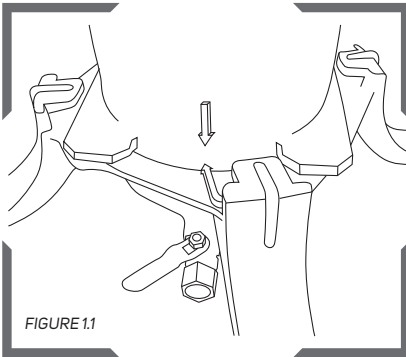
All RPB® Safety products are covered by a manufacturer warranty of 3 months. The manufacturer warranty covers defects in material, workmanship and does not cover damage caused by misuse or abuse. RPB® Safety's only obligation and your exclusive remedy shall be to repair, replace or refund the purchase price of such parts or products upon the presentation of proof of purchase. Maximum liability is in no case to exceed the value of the RPB® Safety Product involved.

RADEX AIRLINE FILTER

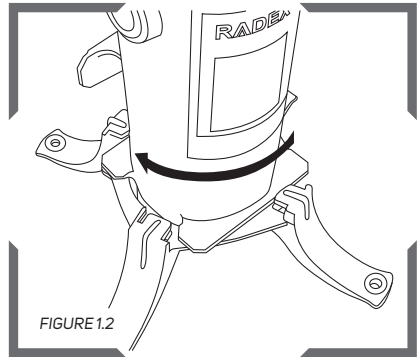
WARNINGS!

1. The Radex® Airline Filter should be assembled, operated and maintained by trained and experienced users.
2. Read all instructions and warnings before assembling and using the Radex® Airline Filter. Failure to adhere to all instructions and warnings could result in serious injury or death.
3. Do not connect the Radex® Airline Filter to any air source unless you have confirmed that it supplies breathable grade air. Failure to connect the airline filter to the proper air source could result in injury or death.
4. Do not modify or alter this Radex® Airline Filter. Use only genuine RPB® Respiratory replacement parts. Use of non genuine parts could reduce filtration capabilities.
5. Do not remove the safety pressure relief valve. Air will be released when pressure in the filter exceeds 150 psig (1034 kpa).
6. The Radex® Airline Filter DOES NOT REMOVE CARBON MONOXIDE (CO) OR TOXIC FUMES. Carbon monoxide alarms, monitoring devices or removal devices must be used in conjunction with this Radex® Airline Filter.
7. Do not use the Radex® Airline Filter if it has been damaged as the filter is a pressure vessel and damage to the vessel could cause fatigue that could result in serious injury or death. Do not attempt to weld the filter unit.
8. If the Radex® Airline Filter is being used in conjunction with abrasive blasting, do not use abrasives containing free silica. The use of silica sand can cause respiratory diseases that cause death.
9. Always use NIOSH, CE or AS approved supplied air respirators. The type of supplied air respirator suitable for each application must be determined by your employer.
10. Always mount the Radex® Airline Filter on a secure level surface.
11. Moisture must be drained on a regular basis to keep air supply free of moisture.
12. Do not loosen the bolts on the Radex® Airline Filter lid while the unit is pressurized. All air must be drained from the filter and air supply to the inlet must be shut off completely before performing any work on the Radex® Airline Filter.

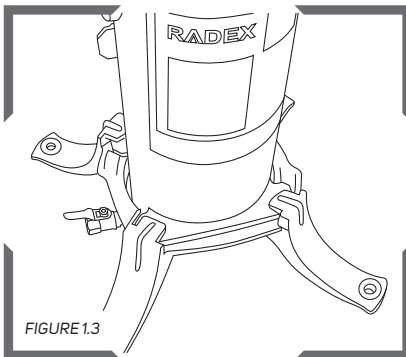
BASEMOUNT



To connect the base mount align the arrows on the base mount with the arrows on the filter.



Turn the filter in a clockwise direction and lock into position.



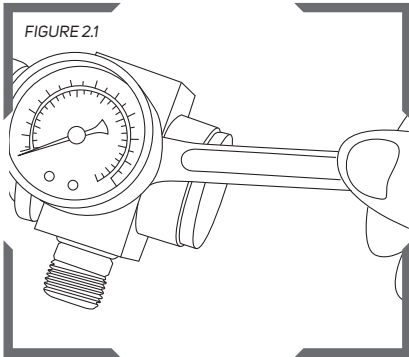
You will hear a click when the base is in the final position.

NOTE

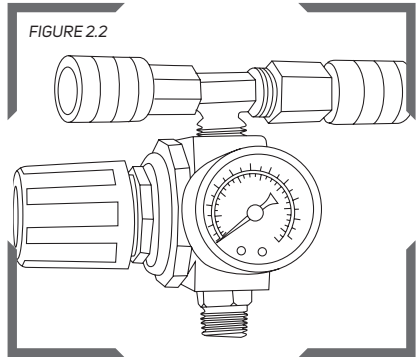
The base mount will only fit in two positions, the arrows must align before locking.

rpb RADEX AIRLINE FILTER

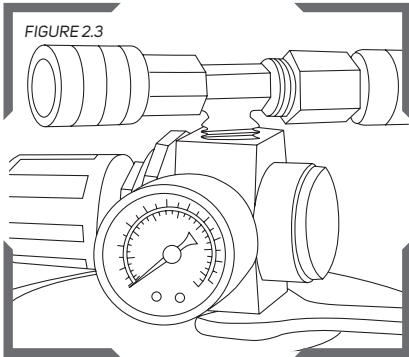
04-900 ASSEMBLY



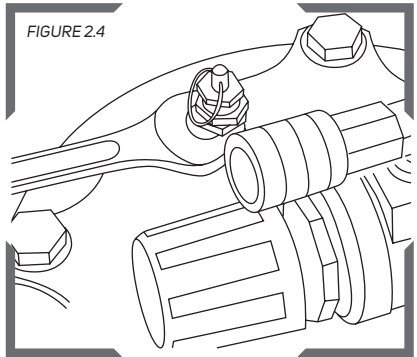
To assembly the pressure regulator, thread the pressure gauge into the body and tighten.



Connect the quick disconnect coupler and brass cap to the 3/8" tee into the top of the pressure regulator and tighten. It is recommended that the regulator assembly is tightened before mounting onto the Radex Airline Filter. Use thread sealant on all fittings.



Fit the complete regulator assembly onto the top of the Radex Airline Filter lid.



Once the regulator assembly has been tightened onto position you can fit the pressure relief valve and tighten.



WARNING! The pressure relief valve must be connected to protect the Radex Airline Filter from over pressurizing.

INLET CONNECTION

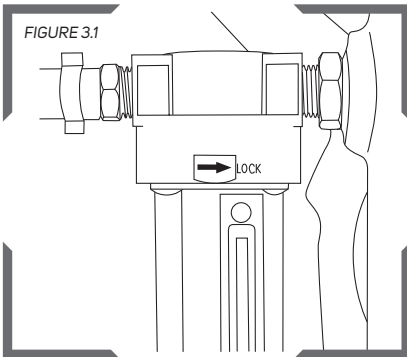
The Radex Airline Filter has a 1" NPT inlet. It is advised to connect a ball valve close to the inlet so the unit can be shut off for servicing. Connect inlet fittings and tighten. Once the Radex Airline Filter is completely assembled and connected to compressed air open supply line and check fitting for any air leaks, tighten accordingly.



WARNING!

DO NOT over tighten fittings, as over tightening could crack the Filter Casting.

FITTING OPTIONAL MICRO MIST FILTER

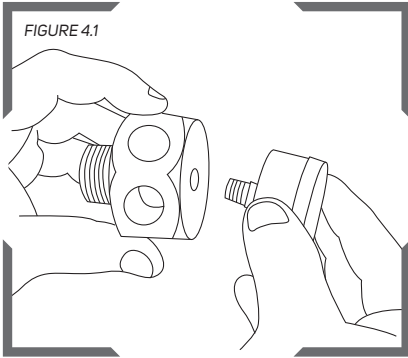


To fit optional micro mist filter 04-925, first thread the reducing nipple 04-926 into the micro mist filter then thread into the filter inlet and tighten, ensure the micro mist filter is positioned straight so it drains moisture from the collection bowl.

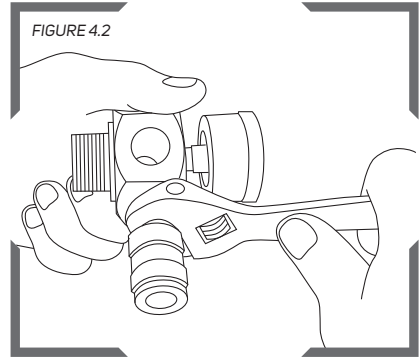
raex RADEX AIRLINE FILTER

04-906 ASSEMBLY

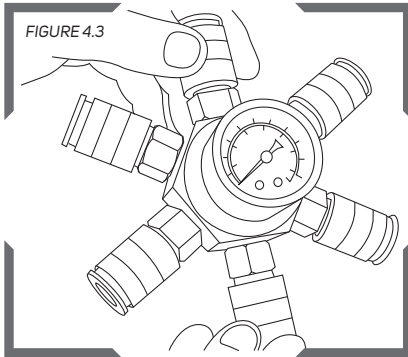
INLET CONNECTION



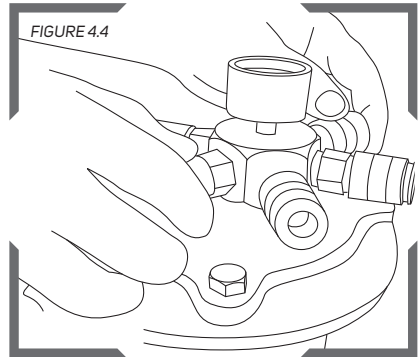
To assemble the Six Outlet Manifold, firstly thread the 04-915 Pressure Gauge into the 04-965 6 Outlet Manifold and tighten.



Thread all six 04-964 Couplers into the 04-965 Manifold and tighten.



The pressure relief valve must be connected to protect the Radex® Airline Filter from over pressurizing.



Thread the completed Six Outlet Manifold assembly into filter lid and tighten.

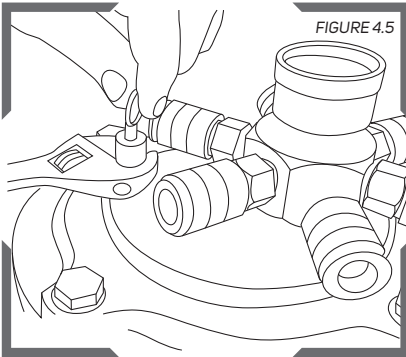


FIGURE 4.5

Thread the 04-916 Pressure Relief Valve into the lid and tighten.

NOTE

If the Pressure Gauge on the Super High Flow Regulator and the Pressure Gauge on the Manifold are reading more than 10psi apart, your cartridge is blocked and needs replacing.

Refer to your respirator instruction manual for pressure ranges for your respirators, increase the pressure according to the number of operators.

SUPER HIGH FLOW REGULATOR ASSEMBLY

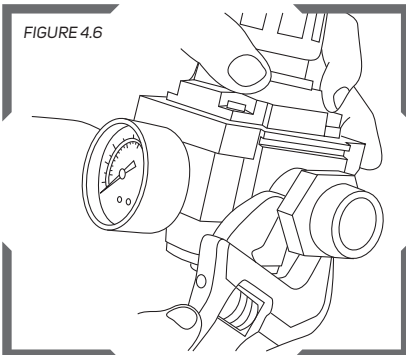


FIGURE 4.6

Thread the 04-915 Pressure Gauge and 04-966 1" NPT Connector into the 04-962 Super High Flow Regulator and tighten.

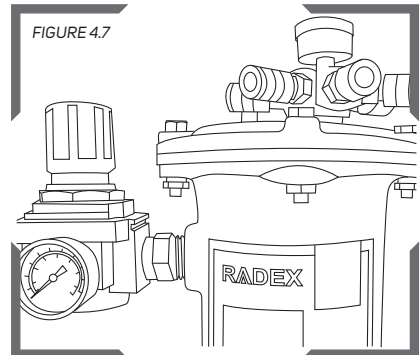


FIGURE 4.7

Now thread the complete Regulator into the INPUT port on the body of the Radex® Filter Unit and tighten.

Check ALL fittings and connections are tight. **YOUR FILTER IS NOW READY FOR USE.**

RADEX AIRLINE FILTER

OPERATION

AIR PRESSURE

The air pressure supplied to the Radex® Airline Filter should not exceed 150 psig (1034 kpa). When setting the outlet pressure using the pressure regulator refer to your respirator instruction manual to set the correct air pressure.

AIR TEMPERATURE

The Air supplied to the Radex® Airline Filter should not exceed 140 degrees Fahrenheit (60 degrees Celsius). Do not connect the Radex® Airline Filter directly to the compressor outlet manifold.

AIR QUALITY

Air supplied through the Radex® Airline Filter is required to meet the Type 1 air standard as outlined in the compressed gas association commodity specification G – 7.1 and OSHA regulation 1910.134 (Grade D or higher), EN 12021, or AS/NZS 1715 depending on local government regulations. The Radex® Airline Filter does not remove toxic gases (for example carbon monoxide) from the air supplied by your compressor. The Grade D Air requirements are as follows:

- 19.5-23% oxygen
- Maximum of 5mg/m3 Hydrocarbons (condensed)
- Maximum of 10ppm Carbon Monoxide
- Maximum of 1000ppm Carbon Dioxide
- No other toxic gases or contaminants at levels which make the air dangerous to breathe

For full details, refer to the C.G.A Commodity Specifications G7.1.

Regular tests of the compressed air must

be carried out to ensure it meets the requirements for breathable air. Also, a GX4® Gas Monitor 08-400 must be used at all times.

AIR CONNECTIONS

Connect air fittings that meet the requirements of OSHA for respirable air. The inlet thread size is 1: NPT. All connections should be sealed using liquid thread sealant. If the Radex® Airline Filter is hard piped an isolation valve must be used to enable depressurisation for servicing.

MAINTENANCE

FILTER CARTRIDGE REPLACEMENT

The filter cartridge should be inspected weekly or more often depending on usage and the conditions of the air system in which the Radex® Airline Filter is installed. The filter cartridge should be replaced after a period of 3 months based on a 40 hour week.

The filter cartridge must be replaced immediately if the following exist:

1. The presence of odour and or tastes in the air being supplied to the respirator.
2. Presence of moisture at the outlet fittings.
3. Large pressure drop across the filter.

DRAINING MOISTURE

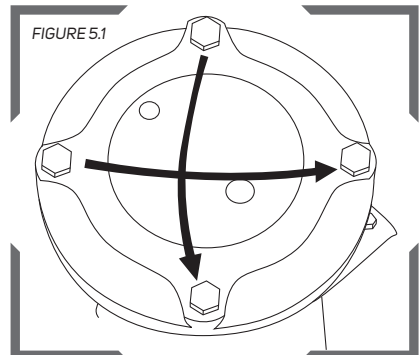
Water will accumulate in the filter tank, this should be drained by opening the ball valve. This should be done each day. In very humid climates or if there is large amounts of water in the air supply it is recommended to leave the ball valve partially open to bleed the moisture. When fitted with auto drain assembly 04-924, moisture will automatically drain from the unit as particles could cause blockages.

LID BOLTS, O-RINGS

The Radex® Airline Filter lid bolts should be checked to ensure that they are tight. The lid bolts 04-920 should be replaced when replacing the filter cartridge. The recommended tightness for the lid bolts is 10 ft/lbs. Check the o-rings 04-919 and replace if damaged.

REPLACING CARTRIDGE

1. Shut off the air supply to the Radex® Airline Filter and drain all air from the body by opening the drain tap.
2. Remove the bolts from the lid and separate the lid from the body.
3. Remove the cartridge and dispose in an appropriate disposal area.
4. Clean the inside of the filter body to remove any contaminants, do not clean with volatile chemicals.
5. Insert a new filter cartridge and reassemble the lid, tighten the bolts in the pattern drawn in (Fig 5.1) tighten to 10ft/lb torque.
6. Record the data on the sticker supplied with the filter cartridge and place on to the Radex® Airline Filter.



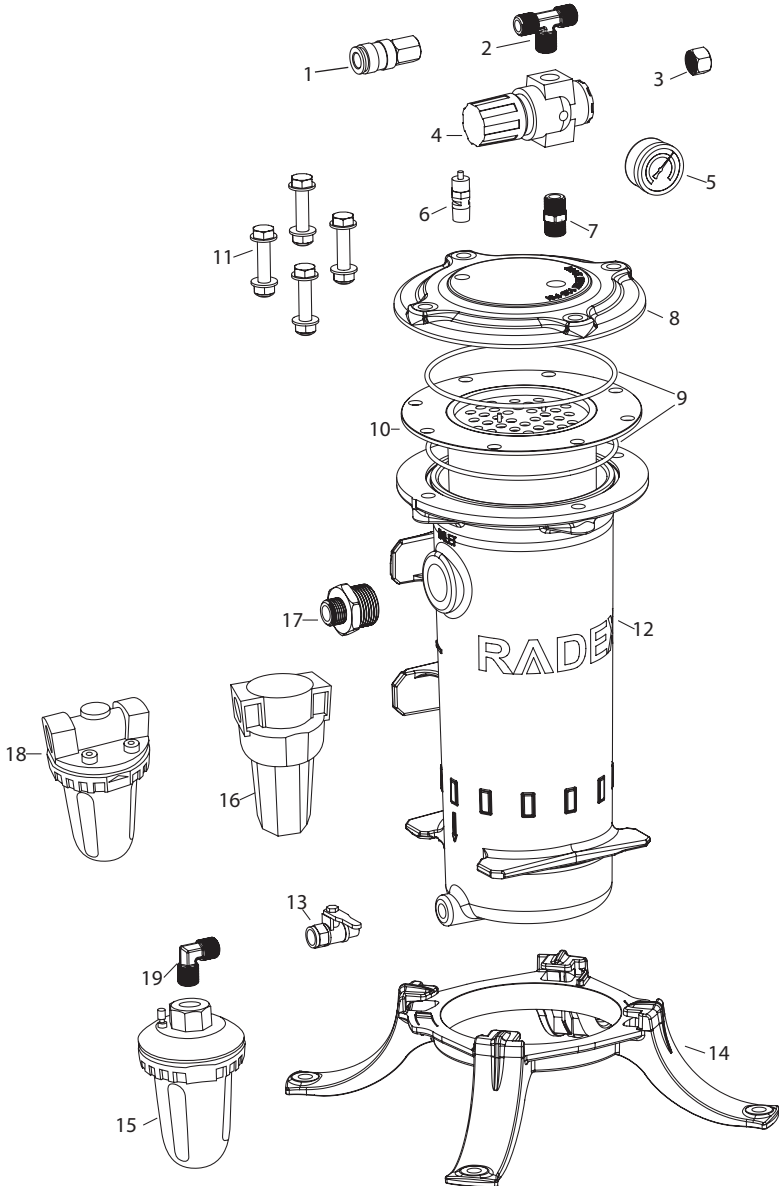
RADEX AIRLINE FILTER

PARTS LIST

Item Number	Description	Part Number
1	RPB® Quick Disconnect Coupler	04-911
2	3/8" Tee	04-912
3	3/8" Cap	04-913
4	Pressure Regulator	04-914
5	Pressure Gauge (also for 09-962)	04-915
6	Pressure Relief Valve 150 psig (1034 kpa)	04-916
7	3/8" Hex Nipple	04-917
8	Lid	04-918
9	O-ring (set of 2)	04-919
10	Filter Cartridge	APF 3100
11	Bolt, Nut, and Washer (set of 4)	04-920
12	Body	04-921
13	Drain Tap	04-922
14	Base Mount	04-923
15	Auto Drain Unit*	04-924
16	Micro Mist Filter 1/2"*	04-925
17	1" x 1/2" Reducing Nipple*	04-926
18	Main Line Pre Filter*	04-927
19	Brass Elbow*	04-928
20	Filter Element for 04-927	04-929
21	Micro Mist Filter Element for 04-925	04-930
22	Auto Drain Assembly for 04-924	04-931
23	Six Outlet Filter Lid	04-961
24	Super High Flow Regulator	04-962
25	Outlet Coupler	04-964
26	Six Outlet Manifold	04-965
27	1" NPT Hex Connector	04-966
28	1" NPT to 3/4" BSP Bushing	04-967

*Special order parts.

FIGURE 6.1



RADEX AIRLINE FILTER

CONTENIDOS

■ Introducción	17
■ Advertencias	19
■ Ensamble Con Montaje En Base	20
■ Ensamble 04-900	20
■ Ensamble 04-906	21
■ Operación	22
■ Mantenimiento	23
■ Lista de Piezas	24
■ Instrucciones en inglés	3
■ Instrucciones en alemán	25
■ Instrucciones en francés	34
■ Instrucciones en italiano	43

**Lea todas las instrucciones y advertencias antes de usar este producto.
Guarde este manual para futuras referencias.**

RPB® Safety Global Headquarters

2807 Samoset Rd, Royal Oak, MI 48073, USA.

T: 1-866-494-4599 F: 1-866-494-4509 E: sales.us@rpbsafety.com **rpbsafety.com**

RPB® Safety Asia Pacific Headquarters

652 Halswell Junction Road, Hornby South 8042 New Zealand.

T: +64-3-357-1761 F: +64-3-357-1763 E: sales.nz@rpbsafety.com **rpbsafety.com**

RPB®, Advancing Your Safety®, Nova®, Nova 3®, Radex®, Zytec®, Z-LINK® and T-LINK® are registered trademarks of RPB® Safety LLC

For technical assistance contact our Customer Service Department at 1-866-494-4599 or email: customerservice@rpbsafety.com

FORM #: 62
REV: 8

INTRODUCCIÓN

El Sistema de Filtración Radex (comprendido por el Filtro de Línea de Aire Radex y el Monitor de Gas GX4), cuando se usa según las Instrucciones del Manual del Usuario, cumple con las siguientes especificaciones:

ANSI / Especificación para Aire de la Asociación de Productos Mercadeables de Gas Comprimido, G-7.1-1989.

OSHA Federal 29 CFR 1910.134 de "Operaciones de Compresor Para Aire Respirable" Cuerpo de Ingenieros del Ejército EM385-1-1, Sección 30.F.04.

Las regulaciones de OSHA asignan al usuario la responsabilidad por la calidad del aire comprimido respirable. El cumplimiento de regulaciones federales, estatales o locales es responsabilidad del usuario y lo aquí establecido de ningún modo puede considerarse que rige por encima de ninguna norma, regulación o ley aplicables. El Sistema de Filtración Radex cumple o excede las especificaciones CGA Grado-D para la calidad del aire adoptada por OSHA. Cuando los componentes son usados según las instrucciones y recomendaciones del fabricante, el "sistema" alcanza o excede las regulaciones federales vigentes actualmente. El usuario tiene la obligación de cumplir con cualquier cambio que ocurra en las leyes y regulaciones.

El Compresor de Suministro de Aire Respirable debe situarse en un ambiente de aire limpio; debe ser construido y ubicado de modo que se pueda evitar la entrada de aire contaminado en el sistema de suministro de aire y de acuerdo con lo detallado en la Regulación OSHA (29 CFR 1910.134(i)) La calidad del aire en todo el sistema debe comprobarse como de Grado-D en

el momento de la instalación inicial. Esta ubicación "segura" debe ser revisada y puesta a prueba cada cierto tiempo usando los instrumentos correctos para asegurar que haya una calidad de aire de ambiente limpio de un modo consistente. Si el compresor es cambiado de situación, se recomienda volver a examinar la calidad del aire. Los filtros del compresor y el nivel de aceite deben revisarse diariamente y deben cambiarse de modo regular de acuerdo con un programa o cuando estén contaminados.

El Filtro para Línea de Aire Radex Pieza No. 04-900 no tiene la capacidad de eliminar el Monóxido de Carbono u otros Gases Tóxicos del Aire Comprimido y requiere que el Monitor de Gas GX4 Pieza No. 08-400 esté conectado para completar el sistema que tiene la aprobación de la Regulación OSHA 1910.134(i)(7): "Para los compresores lubricados con aceite, el empleador debe usar alarmas de alta temperatura o de monóxido de carbono, o de ambos tipos, para monitorear los niveles de monóxido de carbono. Si se usan alarmas de alta temperatura solamente, el suministro de aire debe ser revisado a intervalos lo suficientemente frecuentes para impedir que el monóxido de carbono en el aire respirable exceda las 10 ppm (libras por minuto por sus siglas en inglés)"

El Sistema de Filtración Radex debe usarse siguiendo las instrucciones y recomendaciones especificadas en el Manual de Instrucciones del Usuario. El paquete estándar de filtración no es a prueba de explosiones y debe colocarse en un ambiente no explosivo.

El Usuario debe realizar una Revisión de

INTRODUCCIÓN CONTINUACIÓN

Calibración mensualmente o si la exactitud del monitor está en duda. Si la Revisión de Calibración indicara fallas, la unidad mostrará los datos de contacto, teléfono y correo electrónico, de un Centro de Servicio. La calidad del aire respirable debe revisarse para ver los niveles de al menos los siguientes componentes del aire Grado-D:

- O₂ - Oxígeno
- CO₂ - Dióxido de Carbono
- CO - Monóxido de Carbono
- H₂O - Agua (contenido de humedad)
- Hidrocarburos (Rocío de Aceite)
- Total de Partículas Suspendidas en el Aire

El nivel máximo permitido de estos componentes de la calidad del aire dependiendo del Grado de Aire que es requerido por el usuario. Estos Grados de Aire se encuentran detallados en la Especificación G-71-1989 para Aire de la Asociación de Bienes Mercadeables de Gas Comprimido.

PELIGRO!

No conecte el Filtro de Línea de Aire Radex a aire embotellado que no tenga una válvula de reducción de la presión que pueda reducir la presión del aire a un máximo de 150 psig (1034 kpa). Si no se considera y se cumple con esta advertencia, ello podría ser causa de la explosión del Filtro de Línea de Aire lo que podría resultar en serias lesiones o en la muerte de personas.

GARANTÍA

Todos los productos RPB® están cubiertos por la garantía de fábrica por 3 meses. La garantía del fabricante cubre los defectos en el material, mano de obra y no cubre el daño provocado por el uso incorrecto o abuso. La única obligación de RPB® y su recurso exclusivo será reparar, reemplazar o devolver el precio de compra de dichas piezas o productos ante la presentación de la comprobante de compra. La responsabilidad máxima en ningún caso debe exceder el valor del producto RPB® involucrado.



¡ADVERTENCIAS!

1. El Filtro de Línea de Aire Radex® debe ser ensamblado, operado y mantenido por usuarios entrenados y con experiencia en su manejo.
2. Lea todas las instrucciones y advertencias antes de ensamblar y usar el Filtro de Línea de Aire Radex®. Si no se cumple con todas las instrucciones o si no se toman en cuenta todas las advertencias, podrían producirse lesiones graves o la muerte de personas.
3. No conecte el Filtro de Línea de Aire Radex® a una fuente de suministro de aire a menos que haya verificado que suministra un grado respirable de aire. La negligencia en conectar el filtro de línea de aire a la fuente apropiada de suministro de aire podría resultar en lesiones graves o en la muerte de personas.
4. No modifique o altere este Filtro de Línea de Aire Radex®. Use únicamente piezas de repuesto genuinas de RPB® Respiratorio. El uso de piezas de repuesto no genuinas podría reducir la capacidad de filtrar del Sistema.
5. No quite la válvula de seguridad para el alivio de la presión. El aire será liberado cuando la presión en el filtro exceda las 150 psig (los 1034 kpa).
6. El Filtro e Línea de Aire Radex® **NO REMUEVE EL MONÓXIDO DE CARBONO (CO) O LOS GASES TÓXICOS.** Dispositivos de alarma o de monitoreo o dispositivos removedores, del monóxido de carbono, deben usarse en conjunción con el Filtro de Línea de Aire Radex®.
7. No use el Filtro de Línea de Aire Radex® si éste ha sido dañado, ya que el filtro es un recipiente a presión y cualquier daño al recipiente podría causar fatiga y ello podría producir graves lesiones o la muerte de personas. No trate de soldar la unidad de filtración.
8. Si el Filtro de Línea de Aire Radex® es usado durante trabajos de granallado abrasivo, no utilice abrasivos que contengan sílice libre. El uso de arena de sílice puede causar enfermedades respiratorias que pueden producir la muerte.
9. Use siempre respiradores con suministro de aire que tengan aprobación de NIOSH, de CE o de AS. El tipo de respirador con suministro de aire adecuado para cada aplicación debe ser determinada por su empleador
10. Siempre coloque el Filtro de Línea de Aire Radex® sobre una superficie plana y segura.
11. La humedad debe ser drenada regularmente para mantener el suministro de aire libre de humedad.
12. No afloje los tornillos de la tapa del Filtro de Línea de Aire Radex® mientras la unidad está presurizada. Todo el aire debe sacarse del filtro y el suministro de aire hacia el conducto de entrada debe estar completamente apagado antes de realizar cualquier trabajo sobre el Filtro de Línea de Aire Radex®.

RADEX AIRLINE FILTER

BASE DE MONTAJE

La Figura 1.1 en p. 7

Para conectar la base de montaje alinee las flechas de la base de montaje con las flechas del filtro.

La Figura 1.3 en p. 7

Usted escuchará un sonido de "clic" cuando la base esté en la posición final.

ENSAMBLE 04-900

La Figura 2.1 en p. 8

Para ensamblar el regulador de presión, enrosque el medidor de presión o manómetro en el cuerpo y apriete.

La Figura 2.3 en p. 8

Fije el ensamble completo del regulador en el tope de la tapa del Filtro de Línea de Aire Radex®.

La Figura 1.2 en p. 7

Gire el filtro en la dirección de las manecillas del reloj y ajústelo en la posición final.

NOTA

La base de montaje sólo puede ajustarse en dos posiciones, las flechas deben alinearse antes de que quede trabada en su lugar.

La Figura 2.2 en p. 8

Conecte el acoplador de desconexión rápida y la tapa de cobre al conector tee 3/8" que está encima del regulador de presión y apriete. Se recomienda que el ensamble del regulador esté bien apretado antes de montarlo en el Filtro de Línea de Aire Radex®. Use sellador de rosca en todas las piezas añadidas.

La Figura 2.4 en p. 8

Una vez que el ensamble regulador haya sido ajustado en su lugar usted puede fijar y apretar la válvula de escape de la presión.



¡ADVERTENCIA! La válvula de alivio de la presión debe conectarse para proteger al Filtro de Línea de Aire de una sobre-presurización.

CONEXIÓN DEL CONDUCTO DE ENTRADA

El Filtro de Línea de Aire tiene un conducto de entrada NPT de 1". Se recomienda conectar una válvula de bola al conducto de entrada para que así la unidad pueda ser apagada para darle servicio. Conecte los accesorios del conducto de entrada y apriete. Una vez que el Filtro de Línea de Aire Radex® haya sido completamente ensamblado y que haya sido conectado al aire comprimido, abra la línea de suministro y revise los accesorios y

ajustes para comprobar que no haya fugas y apriete si fuese necesario.



¡ADVERTENCIA!

Nunca apriete de más los accesorios y sus ajustes, porque si lo hace se puede quebrar el Cuerpo del Filtro.

AJUSTE DE ACCESORIO OPCIONAL DE FILTRO DE MICRO ROCIO

La Figura 3.1 en p. 9

Para instalar el filtro opcional de micro rocío

04-925, enrosque primero la boquilla reductora 04-926 en el filtro de micro rocío, luego enrósquela en la entrada del filtro y apriétela. Asegúrese de que el filtro de micro rocío esté bien colocado para que drene la humedad del recipiente de recogida.

ENSAMBLE 04-906

CONEXIÓN DEL CONDUCTO DE ENTRADA

La Figura 4.1 en p. 10

Para ensamblar el Distribuidor de Seis Salidas, en primer lugar, enrosque el Manómetro 04-915 en el Distribuidor de Salida 04-965 6 y apriete.

La Figura 4.3 en p. 10

La válvula de alivio de presión debe estar conectada para proteger el Filtro de Línea de Aire Radex® de la sobre-presurización.

La Figura 4.5 en p. 11

Enrosque la Válvula de Alivio de la Presión 04-916 en la tapa y apriétela.

La Figura 4.2 en p. 10

Enrosque todos los seis Acopladores 04-964 en el Distribuidor 04-965 y apriete

La Figura 4.4 en p. 10

Enrosque el ensamble completo del Distribuidor de Seis Salidas a la tapa del filtro y apriételo.

NOTA

Si el Manómetro del Regulador del Flujo Súper Alto y el Manómetro del Distribuidor están separados por más de 10 psi, eso significa que el cartucho está bloqueado y que debe cambiarse.

Consulte el manual de instrucciones del respirador para conocer los rangos de presión de sus respiradores y aumente la presión según el número de operadores.

ENSAMBLE DEL REGULADOR DE FLUJO SUPER ALTO

La Figura 4.6 en p. 11

Enrosque el Manómetro 04-915 y el Conector de 1" NPT 04-966 en el Regulador de Flujo Súper Alto 04-962 y apriételos.

La Figura 4.7 en p. 11

Ahora enrosque el Regulador completo en el Puerto INPUT del cuerpo de la Unidad del Filtro Radex® y apriételo.

Compruebe que TODAS las piezas accesorias y las conexiones estén apretadas. **SU FILTRO AHORA ESTÁ LISTO PARA SU USO.**

RADEX AIRLINE FILTER

OPERACIÓN

PRESIÓN DEL AIRE

La presión de aire suministrada al Filtro de Línea de Aire Radex® no debe exceder las 150 psig (los 1034 kpa). Cuando ajuste la presión de salida utilizando el regulador de presión, consulte el manual de instrucciones del respirador para ajustar la presión de aire correctamente.

TEMPERATURA DEL AIRE

El aire suministrado al Filtro de Línea de Aire Radex® no debe exceder los 140 grados Fahrenheit (60 grados Celsius). No conecte el Filtro de Línea de Aire Radex directamente al distribuidor de salida del compresor.

CALIDAD DEL AIRE

El aire suministrado a través del Filtro de Línea de Aire Radex® es requerido para cumplir con el estándar de aire Tipo 1 como se describe en la especificación G - 71 de la asociación de gas comprimido y en la regulación OSHA 1910.134 (Grado D o superior), EN 12021 o AS / NZS 1715 dependiendo de las regulaciones gubernamentales de cada localidad. El Filtro de Línea de Aire Radex® no elimina gases tóxicos (por ejemplo, monóxido de carbono) del aire suministrado por el compresor. Los requerimientos de Grado D Aire son los siguientes:

- 19,5-23% de oxígeno
- Máximo 5mg / m3 Hidrocarburos (condensados)
- Máximo 10 ppm de Monóxido de Carbono
- Máximo de 1000 ppm de Dióxido de Carbono
- Ningún otro gas tóxico o contaminante a niveles que hagan que el aire sea peligroso para respirar.

Para obtener más detalles, consulte las Especificaciones G.G.A de Productos Mercadeables G71.

Se deben realizar pruebas regulares del aire comprimido para asegurar que cumple con los requisitos del aire respirable. Además, debe utilizarse un Monitor de Gas GX4® Gas O8-400 en todo momento.

CONEXIONES DE AIRE

Conecte los accesorios de aire que cumplan con los requisitos de OSHA para el aire respirable. El tamaño de la rosca del conducto de entrada es 1: NPT. Todas las conexiones deben sellarse con sellador líquido de roscas. Si el Filtro de Línea de Aire Radex es de tubería rígida, debe utilizarse una válvula de aislamiento para permitir la despresurización que debe hacerse para el mantenimiento.

MANTENIMIENTO

REEMPLAZO DEL CARTUCHO DEL FILTRO

El cartucho del filtro debe ser inspeccionado semanalmente, o más a menudo, dependiendo del uso y las condiciones del sistema de aire en el que está instalado el Filtro de Línea de Aire Radex®. El cartucho del filtro debe ser reemplazado después de un período de 3 meses basados en semanas de 40 horas.

El cartucho del filtro debe ser reemplazado inmediatamente si existe alguna de las siguientes situaciones:

1. Presencia de olores y / o sabores en el aire que se suministra al respirador.
2. Presencia de humedad en las conexiones de salida.
3. Gran caída de la presión que pasa a través del filtro.

DRENAJE DE LA HUMEDAD

El agua se acumulará en el tanque del filtro, esto se debe drenar abriendo la válvula de bola. Esto se debe hacer cada día. En climas muy húmedos o si hay grandes cantidades de agua en el suministro de aire, se recomienda dejar la válvula de bola parcialmente abierta para purgar la humedad. Cuando se equipa con el ensamble de drenaje automático 04-924, la humedad se drenará automáticamente de la unidad.

TORNILLOS DE TAPA, JUNTAS TÓRICAS

Los tornillos de la tapa del filtro de Línea de Aire Radex® se deben revisar para asegurarse de que estén apretados. Los tornillos de la tapa 04-920 deben ser reemplazados al reemplazar el cartucho del filtro. La fuerza de ajuste recomendada para

los pernos de la tapa es 10 pies / lbs. Revise las juntas tóricas 04-919 y cámbielas si están dañadas.

REEMPLAZO DEL CARTUCHO

1. Apague el suministro de aire del Filtro de Línea de Aire Radex y drene todo el aire del cuerpo abriendo el grifo de drenaje.
2. Retire los pernos de la tapa y separe la tapa del cuerpo.
3. Retire el cartucho y deséchelo en un área de apropiada de desechos.
4. Limpie el interior del cuerpo del filtro para eliminar los contaminantes, no limpie con productos químicos volátiles.
5. Inserte un cartucho de filtro nuevo y vuelva a montar la tapa, apriete los pernos en el patrón dibujado en (Fig 5.1) apriete a 10 pies / lb de fuerza de torsión.
6. Registre los datos en la etiqueta adhesiva suministrada con el cartucho del filtro y colóquela en el Filtro de Línea de Aire Radex®.

RADEX AIRLINE FILTER

LISTA DE PIEZAS *La Figura 6.1 en p. 15*

Número de Artículo	Descripción	Número de Pieza
1	RPB® Acoplador de Desconexión Rápida	04-911
2	Conector en T 3/8"	04-912
3	Tapa 3/8"	04-913
4	Regulador de Presión	04-914
5	Manómetro (También para 09-962)	04-915
6	Válvula de Alivio de la Presión - 150 psig (1034 kpa)	04-916
7	Conector Hexagonal 3/8"	04-917
8	Tapa	04-918
9	Junta tórica (Set de 2)	04-919
10	Cartucho del Filtro	APF 3100
11	Tornillo, tuerca, y arandela (set de 4)	04-920
12	Cuerpo	04-921
13	Grifo de Drenaje	04-922
14	Base de Montaje	04-923
15	Unidad de Drenaje Automático*	04-924
16	Filtro Micro Mist 1/2"*	04-925
17	1" x 1/2" Reductor de Conector*	04-926
18	Pre Filtro de Línea Principal*	04-927
19	Codo de Latón*	04-928
20	Elemento de Filtro para 04-927	04-929
21	Filtro Micro Mist Elemento de 04-925	04-930
22	Ensamble de drenaje automático de 04-924	04-931
23	Tapa del filtro de seis salidas	04-961
24	Regulador de flujo super alto	04-962
25	Acoplador de Salida	04-964
26	Distribuidor de Seis Salidas	04-965
27	Conector Hexagonal NPT de 1"	04-966
28	Casquillo de 1" NPT a 3/4" BSP	04-967

*Piezas de pedido especiales.

INHALT

■ Einleitung	26
■ Warnhinweise	28
■ Sockelmontage	29
■ 04-900-Montage	29
■ 04-906-Montage	30
■ Betrieb	31
■ Wartung	31
■ Teileliste	33
■ Anleitung in Englisch	3
■ Anleitung auf Spanisch	16
■ Anleitung auf Französisch	34
■ Anleitung auf Italienisch	43

**Lesen Sie vor Verwendung dieses Produktes alle Anweisungen und Warnungen.
Bewahren Sie dieses Handbuch zum späteren Nachschlagen auf.**

RPB® ZENTRALES BURO VON SICHERUNG

2807 Samoset Rd, Royal Oak, MI 48073, USA.

T: 1-866-494-4599 F: 1-866-494-4509 E: sales.us@rpb-safety.com www.rpb-safety.com

RPB® SICHERUNG VON ASIA PAZIFISCHER ABTEILUNG

652 Halswell Junction Strasse Hornby Sud 8042 Neue Zealand. T: +64-3-357-1761 F: +64-3-357-1763 E: sales.nz@rpb-safety.com www.rpb-safety.com

RPB®, Ihre fortgeschrittene Sicherung®, Nova®, NOVA 1®, Nova 3®, Radex®, Zytec®, Z-LINK® und T-LINK® sind eingeschriebene Zeichen von Handel von RPB® Sicherung LLC

Fuer technische Hilfe, die Abteilung von Klienten kontaktieren unter 1-866-494-4599 oder email: customerservice@rpb-safety.com

Forme#: 62

Rev: 8

INTRODUCTION

Das Radex® Filtersystem (Bestehend aus dem Radex Airline Filter und GX4® Gasmonitor) entspricht den folgenden Spezifikationen, wenn es im Einklang mit dem Benutzerhandbuch verwendet wird.

**ANSI / Compressed Gas Association
Commodity Specification for Air, G-7.1-1989.**

**Federal OSHA 29 CFR 1910.134 "Compressor
Operations for Breathing Air" Army Corps of
Engineers EM385-1-1, Abschnitt 30.F.04.**

OSHA-Verordnungen erlegen die Verantwortung für die Qualität der Atemluftdruck dem Benutzer auf. Die Einhaltung der Bundes-, Staats- oder lokalen Vorschriften liegt in der Verantwortung des Benutzers und diese Verlautbarung ersetzt keine bestehenden Regeln, Vorschriften oder Gesetze, die gelten können. Das Radex Filtersystem erfüllt oder übertrifft die Klasse-D-Spezifikationen der CGA für die Luftqualität, so wie durch OSHA übernommen. Wenn die Komponenten entsprechend den Anweisungen und Empfehlungen des Herstellers genutzt werden, erfüllt oder übertrifft das "System" die derzeit geltenden Bundesvorschriften. Der Nutzer ist verpflichtet, jegliche mögliche Gesetzes- oder Vorschriftenänderung zu befolgen.

Der Kompressor zur Atemluftversorgung muss sich in einer sicheren, sauberen Umgebungsluft befinden und derart aufgebaut und aufgestellt sein, dass der Eintritt kontaminierter Luft in das Luftzufuhrsystem gemäß OSHA-Verordnung (29 CFR 1910.134(i)) verhindert wird. Die Klasse-D-Luftqualität des gesamten Systems muss zum Zeitpunkt der erstmaligen Einrichtung getestet

werden. Dieser "sichere" Standort muss in regelmäßigen Abständen mithilfe der vorschriftsmäßigen Gerätschaften getestet werden, um die saubere Qualität der Umgebungsluft auf einer einheitlichen Grundlage zu gewährleisten. Wenn der Kompressor umgestellt wird, ist das erneute Testen der Luftqualität empfehlenswert. Sollten sich der Standort des Kompressors oder die Umgebung erheblich ändern, sollte die Luftqualität erneut getestet werden. Die Filter und der Ölstand des Kompressors sollten täglich kontrolliert und bei Verschmutzung oder regelmäßigen Wartungen ausgetauscht werden.

Der Radex Airline Filter, Artikel-Nr. 04-900, ist nicht in der Lage, Kohlenmonoxid und andere giftige Gase aus der Druckluft zu entfernen. Es muss der GX4® Gas Monitor, Artikel-Nr. 08-400, angeschlossen sein, um ein System zu vervollständigen, welches der OSHA-Vorschrift 1910.134(i)(7) entspricht: "Für ölgeschmierte Kompressoren muss der Arbeitgeber einen Hochtemperatur- oder Kohlenmonoxid-Alarm oder beides verwenden, um den Kohlenmonoxidgehalt zu überwachen. Wenn nur Hochtemperatur-Alarme eingesetzt werden, muss die Luftzufuhr in ausreichend regelmäßigen Abständen überprüft werden, um zu verhindern, dass das Kohlenmonoxid in der Atemluft 10 ppm überschreitet."

Das Radex® Filtersystem sollte gemäß den in der Bedienungsanleitung angegebenen Anweisungen und Empfehlungen verwendet werden. Das Standard-Filterpaket ist nicht explosionsgeschützt und sollte sich in einer nicht explosionsgefährdeten Umgebung befinden.

Der Benutzer muss monatlich einen Kalibriertest durchführen, oder sobald die Genauigkeit des Monitors in Frage gestellt ist. Sollte der Kalibriertest einen Fehler anzeigen, liefert das Gerät die Kontaktnummer und E-Mail-Adresse eines Servicecenters. Die Qualität der Atemluft sollte auf die folgenden (aber nicht hierauf beschränkt)

Klasse-D-Luftbestandteile geprüft werden:

- O2 - Sauerstoff
- CO2 - Kohlendioxid
- CO - Kohlenmonoxid
- H2O - Wasser (Feuchtegehalt)
- Kohlenwasserstoffe (Ölnebel)
- Gesamtpartikelanzahl

Das zulässige Höchstmaß dieser Luftqualitätsbestandteile variiert je nach der, vom Nutzer geforderten Luftklasse. Diese Klassen werden durch die Compressed Gas Association Commodity Specification for Air, G-7.1-1989 genau beschrieben.

 **GEFAHR!**

Schließen Sie den Radex® Airline Filter nicht an Flaschenluft an, die über kein Druckminderventil verfügt, welches den Luftdruck auf maximal 150 Psig (1034 kPa) reduziert. Die Nichtbeachtung dieser Warnung kann zur Explosion des Radex® Airline Filters und folgend schweren oder tödlichen Verletzungen führen.

GARANTIERUNG

Alle RPB® Produkte haben eine Garantieung von 3 Monaten vom Fabrikant. Die Garantieung des Fabrikanten deckt Defekte im Stoff, Arbeit von Arbeitern, und deckt keine Schade die vom falschem Gebrauch oder schlechtem Gebrauch. Die einzige Verpflichtung von RPB®s ist das Produkt zu reparieren, und den Betrag von Kaufe solcher Teile oder Produkte mit der Quittung davon dem Klient zurückzugeben. Die maximale Verantwortlichkeit ist dass in keinem Fall wird der Preis des zurückgegebenes Betrages als den Preis von Bau des RPB® Produktes höher sein.

RADEX AIRLINE FILTER



WARNHINWEISE!

1. Der Radex® Airline Filter sollte von ausgebildeten und erfahrenen Bedienern montiert, betrieben und gewartet werden.
2. Lesen Sie vor Verwendung des Radex® Airline Filters alle Anweisungen und Warnhinweise. Die Missachtung jeglicher Anweisung oder Warnung kann zu schweren oder tödlichen Verletzungen führen.
3. Schließen Sie den Radex® Airline Filter nicht an eine Luftquelle an, außer Sie haben sich vergewissert, dass diese qualitative Atemluft liefert. Wird der Airline Filter nicht an die ordnungsgemäße Luftquelle angeschlossen, kann dies zu schweren oder tödlichen Verletzungen führen.
4. Modifizieren oder verändern Sie diesen Radex Airline Filter nicht. Verwenden Sie ausschließlich original Ersatzteile von RPB® Respiratory. Die Verwendung von nicht-originalen Ersatzteilen kann die Filterleistungen reduzieren.
5. Entfernen Sie nicht das Sicherheitsdruckventil. Luft wird freigesetzt, wenn der Druck im Filter 150 Psig (1034 kPa) übersteigt.
6. Der Radex® Airline Filter BESEITIGT NICHT KOHLENMONOXID (CO) ODER GIFTIGE DÄMPFE. Es müssen Alarme, Überwachungs- oder Beseitigungsvorrichtungen für Kohlenmonoxid in Verbindung mit diesem Radex® Airline Filter genutzt werden.
7. Nutzen Sie den Radex® Airline Filter nicht, wenn er beschädigt ist, da der Filter ein Druckbehälter ist. Die Beschädigung des Behälters kann Materialermüdung verursachen, die zu schweren oder tödlichen Verletzungen führen kann. Versuchen Sie nicht, die Filtereinheit zu schweißen.
8. Wenn der Radex® Airline Filter in Verbindung mit Sandstrahlen eingesetzt wird, nutzen Sie keine Abrasivstoffe, die freies Siliziumoxid enthalten. Die Verwendung von Quarzsand kann Erkrankungen der Atemwege verursachen, die zum Tod führen.
9. Nutzen Sie stets nach NIOSH, CE oder AS zugelassene umluftunabhängige Atemschutzgeräte. Die Art des für jede Anwendung geeigneten umluftunabhängigen Atemschutzgerätes muss von Ihrem Arbeitgeber ermittelt werden.
10. Stellen Sie den Radex® Airline Filter stets auf einer sicheren, ebenen Fläche auf.
11. Feuchtigkeit muss regelmäßig abgelassen werden, um die Luftzufuhr trocken zu halten.
12. Lösen Sie nicht die Schrauben am Deckel des Radex® Airline Filters während das Gerät unter Druck steht. Die gesamte Luft muss aus dem Filter abgelassen und die Luftzufuhr zum Einlass muss vollständig abgeriegelt sein, bevor irgendwelche Arbeiten am Radex® Airline Filter durchgeführt werden.

SOCKEL

Abbildung 1.1 auf Seite 7

Um den Sockel zu montieren, richten Sie die Pfeile am Sockel mit den Pfeilen am Filter aus.

Abbildung 1.3 auf Seite 7

Sie hören ein Klicken, wenn sich der Sockel in der endgültigen Position befindet.

Abbildung 1.2 auf Seite 7

Drehen Sie den Filter im Uhrzeigersinn und arretieren Sie ihn.

HINWEIS

Der Sockel passt nur in zwei Positionen; die Pfeile müssen vor der Verriegelung ausgerichtet sein.

04-900-MONTAGE

Abbildung 2.1 auf Seite 8

Um den Druckregler zu montieren, drehen Sie das Manometer in das Gehäuse und ziehen Sie es fest.

Abbildung 2.3 auf Seite 8

Montieren Sie die komplette Regler-Baugruppe auf die Oberseite des Deckels des Radex® Airline Filters.

Abbildung 2.2 auf Seite 8

Schließen Sie die Schnellverschlusskupplung und Messingkappe an das 3/8" T-Stück im oberen Teil des Druckreglers an und ziehen Sie es fest. Es wird empfohlen, dass die Regler-Baugruppe vor der Montage auf den Radex® Airline Filter festgezogen ist. Verwenden Sie an allen Verschraubungen Gewindedichtungsmittel.

Abbildung 2.4 auf Seite 8

Sobald die Regler-Baugruppe festgezogen ist, können Sie das Druckentlastungsventil montieren und festziehen.



ACHTUNG! Das Druckentlastungsventil muss angeschlossen sein, um den Radex Airline Filter vor Überdruck zu schützen.

EINLASSANSCHLUSS

Der Radex® Airline Filter verfügt über einen 1" NPT-Einlass. Es wird empfohlen, ein Kugelventil in der Nähe des Einlasses anzuschließen, so dass das Gerät für Wartungsarbeiten abgesperrt werden kann. Schließen Sie die Einlasskupplungen an und ziehen Sie diese fest. Sobald der Radex Airline Filter vollständig montiert

und an Druckluft angeschlossen ist, öffnen Sie die Zuleitung und überprüfen Sie die Verschraubungen auf Undichtigkeiten; ziehen Sie entsprechend nach.



WARNING!

DO NOT over tighten fittings, as over tightening could crack the Filter Casting.

04-900-MONTAGE FORTSETZUNG

MONTAGE DES OPTIONALEN MIKRONEBELFILTERS

Abbildung 3.1 auf Seite 9

Um den optionalen Mikronebelfilter 04-925 zu montieren, drehen Sie zunächst den Reduziernippel 04-926 in den Mikronebelfilter. Drehen Sie dann den Filter in den Filtereinlass und ziehen Sie ihn fest. Stellen Sie sicher, dass der Mikronebelfilter gerade positioniert ist, so dass Feuchtigkeit aus der Auffangschale fließt.

04-906-MONTAGE

EINLASSANSCHLUSS

Abbildung 4.1 auf Seite 10

Um den Sechs-Ventil-Verteiler zu montieren, drehen Sie zunächst das Manometer 04-915 in den 6-Ventil-Verteiler 04-965 und ziehen Sie es fest.

Abbildung 4.3 auf Seite 10

Das Druckentlastungsventil muss angeschlossen sein, um den Radex Airline Filter vor Überdruck zu schützen.

Abbildung 4.5 auf Seite 11

Drehen Sie das Druckentlastungsventil 04-916 in den Deckel und ziehen Sie es fest.

EINLASSANSCHLUSS

Abbildung 4.6 auf Seite 11

Drehen Sie das Manometer 04-915 und den 1" NPT-Anschluss 04-966 in den Hochvolumenstromregler 04-962 und ziehen Sie sie fest.

Überprüfen Sie, dass ALLE Verschraubungen und Anschlüsse fest sind. **IHR FILTER IST NUN BETRIEBSBEREIT.**

Abbildung 4.2 auf Seite 10

Drehen Sie alle sechs Kupplungen 04-964 in den Verteiler 04-965 und ziehen Sie diese fest.

Abbildung 4.4 auf Seite 10

Drehen Sie die vollständige Baugruppe des Sechs-Ventil-Verteilers in den Deckel des Filters und ziehen Sie diese fest.

HINWEIS

Wenn die Anzeigen des Manometers am Hochvolumenstromregler und das Manometer am Verteiler mehr als 10 Psi auseinanderliegen, ist Ihre Patrone verstopft und muss ausgetauscht werden.

Entnehmen Sie die Druckbereiche für Ihr Beatmungsgerät bitte der Bedienungsanleitung Ihres Beatmungsgerätes; erhöhen Sie den Druck entsprechend der Anzahl der Bediener.

Abbildung 4.7 auf Seite 11

Drehen Sie nun den kompletten Regler in die INPUT-Öffnung auf dem Gehäuse der Radex Filtereinheit und ziehen Sie ihn fest.

BETRIEB

LUFTDRUCK

Der dem Radex® Airline Filter zugeführte Luftdruck sollte 150 psig (1034 kPa) nicht überschreiten. Wenn Sie mit dem Druckregler den Ausgangsdruck einstellen, entnehmen Sie den korrekten Luftdruck der Bedienungsanleitung Ihres Beatmungsgerätes.

LUFTTEMPERATUR

Die dem Radex® Airline Filter zugeführte Luft sollte nicht wärmer als 140 Grad Fahrenheit (60 Grad Celsius) sein. Schließen Sie den Radex® Airline Filter nicht direkt an den Auslassverteiler des Kompressors an.

LUFTQUALITÄT

Die durch den Radex® Airline Filter geführte Luft muss je nach lokalen gesetzlichen Bestimmungen die Typ 1-Luftnorm gemäß der Compressed Gas Association Commodity Specification G – 7.1 und OSHA-Verordnung 1910.134 (Klasse D oder höher), EN 12021 oder AS/NZS 1715 erfüllen. Der Radex® Airline Filter filtert keine giftigen Gase (z. B. Kohlenmonoxid) aus der durch Ihren Kompressor gelieferten Luft. Die Anforderungen an Klasse-D-Luft sind wie folgt:

- 19,5 - 23 % Sauerstoff
- Höchstens 5 mg/m3 Kohlenwasserstoffe (kondensiert)
- Höchstens 10 ppm Kohlenmonoxid
- Höchstens 1000 ppm Kohlendioxid
- Keine anderen giftigen Gase oder Verunreinigungen in solchen Mengen, welche die Luft zum Atmen gefährlich machen

Für weitere Einzelheiten siehe C.G.A Commodity Specifications G7.1.

Es müssen regelmäßige Tests der Druckluft durchgeführt werden, um sicherzustellen, dass sie den Anforderungen für Atemluft entspricht. Außerdem muss stets ein GX4® Gasmonitor 08-400 verwendet werden.

LUFTANSCHLÜSSE

Schließen Sie Luftarmaturen an, die den Anforderungen der OSHA für Atemluft erfüllen. Die Gewindegröße des Einlasses beträgt 1" NPT. Alle Verbindungen sollten mit flüssigem Gewindedichtungsmittel versiegelt werden. Wenn der Radex® Airline Filter mit fester Verrohrung angeschlossen ist, muss ein Absperrventil verwendet werden, um eine Druckentlastung für die Wartung zu ermöglichen.

WARTUNG

AUSTAUSCH DER FILTERPATRONE

Die Filterpatrone sollte je nach Nutzung und den Bedingungen des Luftsystems, in welchem der Radex Airline Filter installiert ist, wöchentlich oder häufiger kontrolliert werden. Basierend auf einer 40-Stunden-Woche sollte die Filterpatrone nach einer Laufzeit von 3 Monaten ausgetauscht

werden.

DIE FILTERPATRONE MUSS UNTER FOLGENDEN UMSTÄNDEN SOFORT AUSGETAUSCHT WERDEN:

1. Geruch und/oder Geschmack sind in der Zuluft zum Beatmungsgerät wahrnehmbar.

WARTUNG FORTSETZUNG

2. An den Auslassverbindungen ist Feuchtigkeit sichtbar.
3. Über den Filter besteht ein großer Druckabfall.

FEUCHTIGKEIT ABLASSEN

Wasser sammelt sich im Filtertank; dies sollte durch Öffnen des Kugelventils abgelassen werden. Dieser Vorgang sollte jeden Tag durchgeführt werden. In sehr feuchtem Klima oder wenn große Wassermengen in der Luftzufuhr sind, ist es empfehlenswert, das Kugelventil etwas aufzulassen, um die Feuchtigkeit ablaufen zu lassen. Bei Ausstattung mit der Ablassautomatik 04-924 wird Feuchtigkeit automatisch aus dem Gerät abgelassen, da Partikel Verstopfungen verursachen könnten.

DECKELSCHRAUBEN, DICHTUNGSRINGE

Die Deckelschrauben des Radex® Airline Filters sollten geprüft werden, um sicherzustellen, dass sie fest angezogen sind. Die Deckelschrauben 04-920 sollten ausgetauscht werden, wenn die Filterpatrone ausgetauscht wird. Das empfohlene Drehmoment für die Deckelschrauben beträgt 10 ft/lbs. Prüfen Sie die Dichtungsringe 04-919 und ersetzen Sie sie bei Beschädigung.

AUSTAUSCH DER KARTUSCHE

1. Schalten Sie die Luftzufuhr zum Radex® Airline Filter ab und lassen Sie die gesamte Luft aus dem Gehäuse, indem Sie den Ablasshahn öffnen.
2. Entfernen Sie die Schrauben vom Deckel und nehmen Sie den Deckel vom Gehäuse.
3. Entnehmen Sie die Patrone und entsorgen Sie diese in einem geeigneten Entsorgungsbereich.
4. Reinigen Sie das Innere des Filtergehäuses, um jegliche Verunreinigungen zu entfernen. Nutzen Sie hierzu keine flüchtigen Chemikalien.
5. Setzen Sie eine neue Filterpatrone ein und montieren Sie den Deckel wieder. Ziehen Sie die Schrauben in dem in Abb. 5.1 auf seit 13 gezeigten Muster mit 10 ft/lb Drehmoment fest.
6. Notieren Sie die Daten auf dem mit der Filterpatrone gelieferten Aufkleber und kleben Sie diesen auf den Radex® Airline Filter.

TEILELISTE

Objektnummer	Beschreibung	Teilenummer
1	RPB® Schnellverschlusskupplung	04-911
2	3/8" T-Stück	04-912
3	3/8" Kappe	04-913
4	Druckregler	04-914
5	Manometer (Auch für 09-962)	04-915
6	Druckentlastungsventil 150 psig (1034 kPa)	04-916
7	3/8" Sechskantnippel	04-917
8	Deckel	04-918
9	Dichtungsring (2er Satz)	04-919
10	Filterpatrone	APF 3100
11	Schraube, Mutter, Unterlegscheibe (4er Satz)	04-920
12	Gehäuse	04-921
13	Ablasshahn	04-922
14	Socket	04-923
15	Ablassautomatik*	04-924
16	Mikronebelfilter 1/2"*	04-925
17	1" x 1/2" Reduziernippel*	04-926
18	Vorfilter der Hauptleitung*	04-927
19	Messingwinkel*	04-928
20	Filterelement für 04-927	04-929
21	Mikronebelfilterelement für 04-925	04-930
22	Automatische Ablassmontage für 04-924	04-931
23	Sechs Auslassfilterdeckel	04-961
24	Super Hochstromregler	04-962
25	Auslasskupplung	04-964
26	Sechs-Ventil-Verteiler	04-965
27	1" NPT Sechskantanschluss	04-966
28	1" NPT auf 3/4" BSP Buchse	04-967

*Sonderbestellungsteile.

SOMMAIRE

■ Introduction	35
■ Avertissements	36
■ Montage du Socle de Fixation	37
■ Montage 04-900	37
■ Montage 04-906	38
■ Fonctionnement	39
■ Entretien	40
■ Liste des Pièces	42
■ Instructions en anglais	3
■ Instructions en espagnol	16
■ Instructions en allemand	25
■ Instructions en italien	43

**Veillez lire toutes les instructions et tous les avertissements avant d'utiliser ce produit.
Conservez ce manuel pour référence ultérieure.**

RPB SAFETY GLOBAL HEADQUARTERS

2807 Samoset Rd, Royal Oak, MI 48073, ETATS-UNIS.

T: 1-866-494-4599 F: 1-866-494-4509 E: sales.us@rpbsafety.com www.rpbsafety.com

RPB SAFETY ASIA PACIFIC HEADQUARTERS

652 Halswell Junction Road, Hornby South 8042

Nouvelle-Zélande. T: +64-3-357-1761 F: +64-3-357-1763 E: sales.nz@rpbsafety.com
www.rpbsafety.com

RPB®, Advancing Your Safety®, Nova®, Nova 3®, Radex®, Zytec®, Z-LINK® et T-LINK® sont des marques déposées de RPB® Safety LLC

Pour obtenir d'assistance technique, contactez notre service à la clientèle au numéro 1-866-494-4599 ou par courriel : customerservice@rpbsafety.com

FORMULAIRE # : 62

RÉVISION : 8

INTRODUCTION

Le système de filtration Radex® (Constitué du filtre aérien Radex® et du détecteur de gaz GX4®) répond aux exigences suivantes, lorsqu'il est utilisé conformément au manuel d'utilisation.

ANSI / Spécification G-7.1-1989 de la Compressed Gas Association relative à la commodité de l'air.

Norme fédérale de l'OSHA 29 CFR 1910.134 relative à l'utilisation de compresseurs d'air respirable. Corps du génie de l'armée américaine EM385-1-1, Section 30.F.04.

Les réglementations OSHA stipulent que la responsabilité de la qualité de l'air comprimé respirable repose sur l'utilisateur. Il est de la responsabilité de l'utilisateur de se conformer avec les réglementations fédérales, étatiques ou locales et la présente déclaration ne remplace aucune règle, réglementation ou loi existante applicable. Le système de filtration Radex® respecte ou excède les spécifications CGA de grade D relatives à la qualité de l'air, telles qu'adoptées par l'OSHA, lorsque les composants sont utilisés conformément au manuel d'utilisation et aux recommandations, le "système" respecte ou excède les réglementations fédérales actuellement en vigueur. L'utilisateur est dans l'obligation de respecter toute éventuelle modification législative ou réglementaire.

Le compresseur d'air respirable doit être placé dans un environnement sûr, où l'air ambiant est pur. Il doit être installé et positionné de façon à empêcher l'entrée d'air contaminé dans le système d'alimentation et conformément aux spécifications de l'OSHA (29 CFR 1910.134(i)). La qualité de l'air de grade D du système intégral doit être testée lors de la configuration initiale.

Cet emplacement "sûr" doit être contrôlé périodiquement à l'aide des instruments adéquats afin de garantir la pureté constante de l'air ambiant. Si le compresseur est déplacé, il est recommandé de contrôler à nouveau la qualité de l'air. Si l'emplacement ou l'environnement du compresseur devaient changer de manière significative, la qualité de l'air devra être à nouveau contrôlée. Les filtres du compresseur et le niveau d'huile devraient être contrôlés quotidiennement et remplacés lors des entretiens planifiés ou lorsqu'ils sont contaminés.

La pièce n° 04-900 du filtre aérien Radex® n'est pas capable d'éliminer le monoxyde de carbone ou d'autres gaz toxiques de l'air comprimé et nécessite la pièce n° 08-400 du détecteur de gaz GX4® pour être raccordée à un système conforme avec la réglementation OSHA 1910.134(i)(7) : "En ce qui concerne les compresseurs lubrifiés à l'huile, l'employeur doit utiliser un avertisseur de haute température ou de monoxyde de carbone, ou les deux, afin de surveiller les niveaux de monoxyde de carbone. Si seuls des avertisseurs de haute température sont utilisés, l'alimentation en air devrait être surveillée à des intervalles suffisants pour empêcher que le monoxyde de carbone présent dans l'air respirable ne dépasse 10 ppm."

Le système de filtration Radex® devrait être utilisé conformément aux instructions et recommandations spécifiées dans le manuel d'utilisation. L'ensemble de filtration standard n'est pas antidéflagrant et devrait être placé dans un environnement non-explosif.

L'utilisateur doit effectuer une vérification mensuelle de l'étalonnage ou dès que la

INTRODUCTION (A CONTINUÉ)

précision du détecteur est mise en doute. Si la vérification de l'étalonnage devait indiquer une anomalie, l'unité indiquera un numéro et une adresse électronique pour contacter le service client. La qualité de l'air respirable devrait être testée afin de détecter, sans toutefois s'y restreindre, les composants de l'air de grade D suivants :

- O2 - Oxygène
- CO2 - Dioxyde de carbone
- CO - Monoxyde de carbone
- H2O - Eau (Taux d'humidité)
- Hydrocarbures (Brouillard huileux)
- Particules totales

Les niveaux maximums de ces composants de la qualité de l'air varient en fonction du grade de l'air requis par l'utilisateur, ces grades sont détaillés dans la spécification G-7.1-1989 de la Compressed Gas Association relative à la commodité de l'air.

AVERTISSEMENTS !

1. Le filtre aérien Radex® devrait être monté, actionné et entretenu par des utilisateurs formés et expérimentés.
2. Veuillez lire toutes les instructions et tous les avertissements avant d'utiliser le filtre aérien Radex®. Le non-respect des instructions et avertissements pourrait entraîner des blessures graves ou la mort.
3. Ne pas raccorder le filtre aérien Radex® sur une source d'air sans s'être assuré qu'elle fournisse de l'air respirable. Le raccordement du filtre aérien sur une source d'air inappropriée pourrait entraîner des blessures graves ou la mort.
4. Ne pas modifier ou altérer ce filtre aérien Radex®. Utiliser uniquement les pièces de rechange authentiques pour appareil respiratoires RPB®. L'utilisation de pièces non-authentiques pourrait réduire les capacités de filtration.
5. Ne pas retirer la soupape de sûreté. L'air sera libéré si la pression du filtre dépasse 150 psig (1034 kpa).
6. Le filtre aérien Radex® N'ÉLIMINE

DANGER !

Ne pas raccorder le filtre aérien Radex® à de l'air embouteillé non-équipé d'un clapet de réduction de la pression empêchant la pression de l'air de dépasser 150 psig (1034 kpa). Le non-respect de cet avertissement pourrait entraîner l'explosion du filtre aérien Radex® et causer des blessures graves ou la mort.

GARANTIE

Tous les produits RPB® sont couverts par une garantie du fabricant de 3 mois. La garantie du fabricant couvre les défauts de matériel, de fabrication et ne couvre pas les dommages causés par une mauvaise utilisation ou d'un usage abusif. La seule obligation de RPB® et votre recours exclusif sera de réparer, remplacer ou rembourser le prix d'achat de tels composants ou produits sur présentation d'une preuve d'achat. La responsabilité maximale ne doit dépasser en aucun cas la valeur du produit RPB® concerné.

PAS LE MONOXYDE DE CARBONE (CO) OU LES FUMÉES TOXIQUES. Des avertisseurs de monoxyde de carbone, des dispositifs de surveillance ou d'élimination doivent être utilisés conjointement avec ce filtre aérien Radex®.

7. Ne pas utiliser le filtre aérien Radex® s'il est abîmé, car le filtre est un récipient sous pression et s'il est abîmé cela pourrait entraîner une fatigue qui pourrait résulter sur des blessures graves ou la mort. Ne pas tenter de souder l'unité de filtration.
8. Si le filtre aérien Radex® est utilisé lors de projections abrasives, ne pas utiliser d'abrasifs contenant de la silice libre. L'utilisation de sable de silice peut causer des maladies respiratoires mortelles.
9. Toujours utiliser des respirateurs à adduction d'air homologués NIOSH, CE ou AS. Le type d'air fourni adapté pour chaque utilisation doit être déterminé par votre employeur.
10. Toujours monter le filtre aérien Radex® sur une surface plane et sécurisée.
11. L'humidité doit être régulièrement drainée afin de garder un air exempt d'humidité.
12. Ne pas desserrer les boulons du couvercle du filtre aérien Radex pendant que l'unité est pressurisée. Tout l'air doit être évacué du filtre et l'arrivée d'air doit être complètement coupée avant d'effectuer toute intervention sur le filtre aérien Radex.

SOCLE DE FIXATION

Image 1.1 à la page 7

Pour connecter le socle de fixation, alignez les flèches du socle avec les flèches du filtre.

Image 1.3 à la page 7

Vous entendrez un clic lorsque le socle sera en place.

MONTAGE 04-900

Image 2.1 à la page 8

Pour monter le régulateur de pression, insérez le manomètre dans le boîtier et visser.

Image 1.2 à la page 7

Tournez le filtre dans le sens horaire jusqu'à ce qu'il soit en position verrouillée.

REMARQUE

Le socle de fixation ne se monte que dans deux positions, les flèches doivent s'aligner avant le verrouillage.

Image 2.2 à la page 8

Connectez le raccord rapide et le capuchon en laiton avec le raccord en T de 3/8" situé au-dessus du régulateur de pression et serrez. Il est recommandé de visser l'assemblage du régulateur avant de *Image*

RADEX AIRLINE FILTER

MONTAGE 04-900 (A CONTINUÉ)

Image 2.3 à la page 8

Installez l'assemblage complet du régulateur au-dessus du couvercle du filtre aérien Radex®.

Image 2.2 à la page 8 (A CONTINUÉ)

l'installer dans le filtre aérien Radex. Utilisez un matériau d'étanchéification sur tous les raccords.

Image 2.4 à la page 8

Une fois que l'assemblage du régulateur est en place et fixé, vous pouvez installer et fixer la soupape de sûreté.



AVERTISSEMENT! La soupape de sûreté doit être raccordée pour empêcher la surpressurisation du filtre aérien Radex.

RACCORDEMENT D'ENTRÉE

Le filtre aérien Radex a une entrée 1" NPT. Il est recommandé de raccorder un clapet à bille sur l'entrée de façon à ce que l'unité puisse être arrêtée pour les entretiens. Connectez les raccords de l'entrée et serrez. Une fois le filtre aérien Radex entièrement monté, puis connecté sur une ligne ouverte d'alimentation en air comprimé et après avoir vérifié que les raccords ne présentent pas de fuite d'air, serrez en conséquence.



AVERTISSEMENT!

NE PAS serrer excessivement les raccords. Un serrage excessif pourrait fissurer le moulage du filtre.

MONTAGE 04-906

CONNEXION DE L'ENTRÉE

Image 4.1 à la page 10

Pour assembler le connecteur à six sorties, commencez par insérer le manomètre 04-915 dans le collecteur à six sorties 04-965 et serrez.

INSTALLATION DU FILTRE OPTIONNEL POUR MICRO BROUILLARD

Image 3.1 à la page 9

Pour installer le filtre optionnel pour micro brouillard 04-925, insérez d'abord le raccord de réduction 04-926 dans le filtre pour micro brouillard, puis insérez-le dans l'entrée du filtre et serrez en veillant à ce que le filtre pour micro brouillard soit positionné verticalement afin de drainer l'humidité de la cuvette de récupération.

Image 4.2 à la page 10

Insérez les six raccords 04-964 dans le collecteur 04-965 et serrez.

Image 4.3 à la page 10

La soupape de sûreté être raccordée pour empêcher la surpressurisation du filtre aérien Radex®.

Image 4.5 à la page 11

Insérez la soupape de sûreté O4-916 dans le couvercle et serrez.

MONTAGE DU RÉGULATEUR DE DÉBIT EXTRÊME

Image 4.6 à la page 11

Insérez le manomètre O4-915 et le raccord 1" NPT dans le régulateur de débit extrême O4-962 et serrez.

Vérifiez que TOUS les raccords et TOUTES les connexions sont bien serrés. **VOTRE FILTRE EST MAINTENANT PRÊT À L'EMPLOI.**

FONCTIONNEMENT

PRESSION DE L'AIR

La pression de l'air fournie dans le filtre aérien Radex® ne devrait pas dépasser 150 psig (1034 kpa). Pour paramétrer la pression de sortie en utilisant le régulateur de pression, veuillez consulter le manuel d'utilisation de votre respirateur pour régler la pression adéquate.

TEMPÉRATURE DE L'AIR

Le filtre aérien Radex® ne devrait pas dépasser 140 degrés Fahrenheit (60 degrés

Image 4.4 à la page 10

Insérez l'assemblage terminé du collecteur à six sorties dans le couvercle du filtre et serrez.

REMARQUE

Si le manomètre sur le régulateur de débit extrême et le manomètre sur le collecteur affichent chacun plus de 10 psi, votre cartouche est bloquée et doit être remplacée.

Veuillez consulter le manuel d'utilisation de votre respirateur pour connaître les plages de pression adaptées à chaque respirateur et augmentez la pression en fonction du nombre d'opérateurs.

Image 4.7 à la page 11

Insérez ensuite le régulateur entièrement assemblé dans le port d'ENTRÉE sur le boîtier de l'unité du filtre Radex et serrez.

Celsius). Ne pas raccorder le filtre aérien Radex® directement sur le collecteur de sortie du compresseur.

QUALITÉ DE L'AIR

L'air fourni à travers le filtre aérien Radex® doit correspondre à la norme de qualité de l'air de Type 1, comme précisé dans la spécification G - 71 de la Compressed Gas Association relative à la commodité de l'air et dans la 1910.134 (Grade D ou plus), EN 12021, ou AS/NZS 1715 en fonction de vos réglementations gouvernementales locales.

FONCTIONNEMENT (A CONTINUÉ)

Le filtre aérien Radex® n'élimine pas les gaz toxiques (par exemple le monoxyde de carbone) de l'air fourni par votre compresseur. Les exigences relatives à l'air de grade D sont les suivantes :

- 19.5-23 % d'oxygène
- Maximum de 5mg/m³ d'hydrocarbures (condensés)
- Maximum de 10ppm de monoxyde de carbone
- Maximum de 1000ppm de dioxyde de carbone
- Aucun autre gaz toxique ou contaminant à des niveaux qui rendent l'air dangereux à respirer.

Pour plus d'informations, veuillez consulter la spécification de commodité G-7.1 de la

C.G.A.

Des contrôles réguliers de l'air comprimé devraient être effectués afin de vérifier qu'il respecte bien les exigences relatives à l'air respirable. Par ailleurs, un détecteur de gaz GX4 08-400 doit être utilisé en permanence.

CONNEXIONS DE L'AIR

Connectez des raccords d'air correspondants aux exigences de l'OSHA en matière d'air respirable. Le diamètre du filetage de l'entrée est de 1" NPT. Tous les raccords devraient être étanchésés à l'aide d'un liquide d'étanchéisation pour filetages. Si le filtre aérien Radex est relié par l'intermédiaire d'un tuyau, une vanne d'isolement doit être utilisée pour permettre la dépressurisation afin d'effectuer des entretiens.

ENTRETIEN

REPLACEMENT DE LA CARTOUCHE DU FILTRE

La cartouche du filtre devrait être inspectée une fois par semaine ou plus, en fonction de l'utilisation et des conditions du système d'air sur lequel le filtre aérien Radex est installé. La cartouche du filtre devrait être remplacée après une période de 3 mois pour une utilisation de 40 heures par semaine.

La cartouche du filtre doit être remplacée immédiatement si les conditions suivantes surviennent :

1. La présence d'une odeur et/ou d'un goût dans l'air fourni au respirateur.
2. La présence d'humidité sur les raccords de sortie.

3. Une importante chute de la pression au travers du filtre.

DRAINER L'HUMIDITÉ

De l'eau va s'accumuler dans le réservoir du filtre et doit être évacuée en ouvrant le clapet à bille. Cela doit être fait tous les jours. Dans des climats très humides ou s'il y a de grandes quantités d'eau dans l'air fourni, il est recommandé de laisser le clapet à bille partiellement ouvert pour vidanger l'humidité. Lorsqu'il est équipé de l'assemblage de drainage automatique 04-924, l'humidité va s'évacuer automatiquement de l'unité.

BOULONS DU COUVERCLE, JOINTS TORIQUES

Les boulons du couvercle du filtre aérien

Radex® devraient être contrôlés afin de vérifier s'ils sont bien serrés. Les boulons O4-920 du couvercle devraient être remplacés lorsque la cartouche du filtre est remplacée. Le couple recommandé pour les boulons du couvercle est de 10 livres-pied. Contrôlez les joints toriques O4-919 et remplacez-les s'ils sont abîmés.

REPLACER LA CARTOUCHE

1. Coupez l'arrivée d'air du filtre aérien Radex et évacuez tout l'air du boîtier en ouvrant le robinet de purge.
2. Retirez les boulons du couvercle et séparez le couvercle du boîtier.
3. Retirez la cartouche et apportez-la dans un site de décharge approprié.
4. Nettoyez l'intérieur du boîtier du filtre pour éliminer tous les contaminants, sans utiliser de produits chimiques volatils.
5. Insérez une nouvelle cartouche et réinstallez le couvercle. Serrez les boulons en suivant la configuration illustrée sur l'image 5.1, avec un couple de serrage de 10 livres-pied.
6. Inscrivez les données sur l'auto-collant fourni avec la cartouche du filtre et collez-le sur le filtre aérien Radex.

LISTE DES PIÈCES

Numéro d'article	Description	Numéro de pièce
1	RPB® Coupleur de déconnexion rapide	04-911
2	3/8" Raccord en T	04-912
3	3/8" Capuchon	04-913
4	Régulateur de pression	04-914
5	Manomètre (Également pour 09-962)	04-915
6	Soupape de sûreté 150 psig (1034 kpa)	04-916
7	Raccord hexagonal 3/8"	04-917
8	Couvercle	04-918
9	Joint torique (ensemble de 2)	04-919
10	Cartouche du filtre	APF 3100
11	Bolt, noix et lave-linge (ensemble de 4)	04-920
12	Boitier	04-921
13	Robinet de vidange	04-922
14	Socle de fixation	04-923
15	Unité de drainage automatique*	04-924
16	Filtre de micro brouillard 1/2"*	04-925
17	Raccord de réduction 1" x 1/2"*	04-926
18	Préfiltre de la ligne principale*	04-927
19	Coude en laiton*	04-928
20	Élément de filtration pour 04-927	04-929
21	Élément de filtre micro-brume pour 04-925	04-930
22	Auto Drain Assembly for 04-924	04-931
23	Ensemble auto drainant pour 04-924	04-961
24	Super régulateur de débit élevé	04-962
25	Raccord de sortie	04-964
26	Collecteur à six sorties	04-965
27	Raccord hexagonal 1" NPT	04-966
28	Bague 1" NPT à 3/4" NPT	04-967

*Pièces de commandes spéciales.

CONTENUTI

■ Introduzione	44
■ Avvertenze	45
■ Montaggio Della Base Di Supporto	46
■ Montaggio 04-900	46
■ Montaggio 04-906	47
■ Funzionamento	48
■ Manutenzione	49
■ Lista Componenti	50
■ Istruzioni in inglese	3
■ Istruzioni in spagnolo	16
■ Istruzioni in tedesco	25
■ Istruzioni in francese	34

**Leggere tutte le istruzioni e le avvertenze prima di utilizzare questo prodotto.
Conservare questo manuale come riferimento per il futuro.**

RPB® Safety Global Headquarters

2807 Samoset Rd, Royal Oak, MI 48073, USA.

T: 1-866-494-4599 F: 1-866-494-4509 E: sales.us@rpbsafety.com **rpbsafety.com**

RPB® Safety Asia Pacific Headquarters

652 Halswell Junction Road, Hornby South 8042 New Zealand.

T: +64-3-357-1761 F: +64-3-357-1763 E: sales.nz@rpbsafety.com **rpbsafety.com**

RPB®, Advancing Your Safety®, Nova®, Nova 3®, Radex®, Zytec®, Z-LINK® e T-LINK® sono marchi registrati di RPB® Safety LLC

Per assistenza tecnica contattare il nostro Servizio Clienti al numero 1-866-494-4599 o via mail a: customerservice@rpbsafety.com

MODULO #: 62

REV: 8

INTRODUZIONE

Il sistema di filtrazione Radex® (Costituito dal Filtro Aria Radex® e dal dispositivo di controllo dei gas GX4®) è conforme alle seguenti specifiche quando viene utilizzato in conformità al Manuale di Istruzioni Utente.

**ANSI / Compressed Gas Association
Commodity Specification for Air, G-7.1-1989.**

Federal OSHA 29 CFR 1910.134 "Compressor Operations for Breathing Air" Army Corps of Engineers EM385-1-1, Sezione 30.F.04.

Il Regolamento OSHA attribuisce la responsabilità per la qualità dell'aria compressa per respirazione all'utente. L'essere conforme ai regolamenti federali, statali o locali è responsabilità dell'utente e questa affermazione non sostituisce alcuna regola, regolamento o legge esistente che si possa applicare. Il Sistema di Filtrazione Radex® è conforme o supera le specifiche CGA Grado-D per la qualità dell'aria come adottato dall'OSHA, quando i componenti sono utilizzati secondo le istruzioni e le raccomandazioni del costruttore, il "sistema" è conforme o supera i regolamenti federali attualmente vigenti. L'utente è obbligato a rispettare qualsiasi modifica alla legge o ai regolamenti possa sopravvenire.

Il compressore per la fornitura di aria per la respirazione deve essere posizionato in un ambiente sicuro e con aria ambiente pulita, costruito e posizionato in modo da prevenire l'ingresso di aria contaminata nel sistema di mandata aria e come descritto nel Regolamento OSHA (29 CFR 1910.134(i)) la qualità dell'aria Grado-D del sistema totale deve essere testata periodicamente utilizzando gli strumenti adeguanti per assicurare la qualità dell'aria ambiente pulita su base affidabile. Se il compressore

viene spostato, si raccomanda di testare nuovamente la qualità dell'aria. Se la posizione o l'ambiente del compressore vengono modificati sensibilmente, la qualità dell'aria deve essere testata nuovamente. I filtri del compressore e il livello dell'olio devono essere controllati giornalmente e sostituiti durante la manutenzione ordinaria programmata o quando sono stati contaminati.

Il Filtro Aria Radex® Codice 04-900 non è in grado di rimuovere il Monossido di Carbonio e altri gas tossici dall'aria compressa ed è necessario che il Dispositivo di Controllo dei Gas GX4® Codice 08-400 sia collegato per completare un sistema che sia conforme con il regolamento OSHA 1910.134(i) (7) "Per compressori lubrificati ad olio, il datore di lavoro deve utilizzare un allarme di temperatura elevata o di Monossido di Carbonio o entrambi per controllare i livelli di Monossido di Carbonio. Se vengono utilizzati solo allarmi di temperatura elevata, la fornitura di aria deve essere controllata a intervalli sufficientemente frequenti per evitare che il Monossido di Carbonio nell'aria per respirazione ecceda 10ppm."

Il Sistema di Filtrazione Radex® deve essere conforme alle istruzioni ed alle raccomandazioni specificate nel Manuale di Istruzioni Utente. Il pacchetto di filtrazione standard è a prova di esplosione e deve essere posizionato in un ambiente non esplosivo.

L'utente deve eseguire mensilmente un Controllo di Calibrazione o, se l'accuratezza del controllo è in dubbio, il Controllo della Calibrazione dovrebbe indicare un guasto, L'unità fornirà un numero per contattare un

centro assistenza e un indirizzo email. La qualità dell'aria per respirazione deve essere testata per i seguenti componenti dell'aria Grado-D e non solo per essi:

- O₂ - Ossigeno
- CO₂ - Diossido di Carbonio
- CO - Monossido di Carbonio
- H₂O - Acqua (Contenuto di Umidità)
- Idrocarburi (Nebbia d'olio)
- Particolato Totale

Il livello massimo ammissibile di questi componenti della qualità dell'aria varia in base al Grado di Aria richiesto dall'utente, questi Gradi sono descritti dalla Compressed Gas Association Commodity Specification for Air, G-71-1989.



AVVERTENZE!

1. Il Filtro Aria Radex® deve essere montato, utilizzato e mantenuto da utenti formati e con esperienza.
2. Leggere tutte le istruzioni e le avvertenze prima di montare e utilizzare il Filtro Aria Radex®. Il mancato rispetto di tutte le istruzioni e le avvertenze potrebbe causare seri danni o morte.
3. Non connettere il Filtro Aria Radex® ad alcuna fonte di aria senza che si abbia la conferma che fornisca aria di grado respirabile. La connessione del filtro aria ad una errata fonte di alimentazione aria può causare danni o morte.



PERICOLO!

Non connettere il Filtro Aria Radex® ad aria in bombola che non abbia una valvola di riduzione della pressione che riduca la pressione dell'aria ad un massimo di 150 psig (1034 kpa). Il mancato rispetto di questa avvertenza potrebbe comportare l'esplosione del Filtro Aria, causando seri danni o morte.

GARANZIA

Tutti i prodotti RPB® sono coperti da una garanzia di fabbrica di 3 mesi. La garanzia del produttore copre i difetti di materiale, lavorazione e non copre i danni causati da uso improprio o abuso. L'unico obbligo di RPB® e il rimedio esclusivo a sua disposizione sarà di riparare, sostituire o rimborsare il prezzo di acquisto di tali parti o prodotti al momento della presentazione della prova d'acquisto. La responsabilità massima non deve in nessun caso superare il valore del prodotto RPB® coinvolto.

4. Non modificare o alterare questo Filtro Aria Radex®. Utilizzare solo parti di ricambio originali di RPB Respiratory. L'uso di parti non originali potrebbe ridurre le capacità di filtrazione.
5. Non rimuovere la valvola di sovrappressione di sicurezza. L'aria sarà scaricata quando la pressione nel filtro supera 150 psig (1034 kpa).
6. Il Filtro Aria Radex® NON RIMUOVE IL MONOSSIDO DI CARBONIO (CO) O ALTRI FUMI TOSSICI. Devono essere utilizzati allarmi per Monossido di Carbonio, dispositivi di controllo o

RADEX AIRLINE FILTER

AVVERTENZE! CONTINUA

dispositivi removibili collegati con questo Filtro Aria Radex®.

7. Non utilizzare il Filtro Aria Radex® se è stato danneggiato poiché il Filtro è un vaso di pressione e un danno al vaso potrebbe comportare fatica che a sua volta potrebbe causare seri danni o morte.
 8. Se il Filtro Aria Radex® è utilizzato durante sabbatura abrasiva, non utilizzare abrasivi contenenti silicio libero. L'uso di sabbia con silicio può comportare insufficienze respiratorie che causano la morte.
 9. Utilizzare sempre respiratori certificati NIOSH, CE o AS. Il tipo di respiratore
10. Posizionare sempre il Filtro Aria Radex® su una superficie piana sicura.
 11. L'umidità deve essere drenata regolarmente per mantenere l'aria fornita libera da umidità.
 12. Non allentare i dadi sul coperchio del Filtro Aria Radex® mentre l'unità è pressurizzata. Tutta l'aria deve essere drenata dal filtro e l'alimentazione aria all'ingresso deve essere chiusa completamente prima di eseguire qualsiasi operazione sul Filtro Aria Radex®.

BASE DI SUPPORTO

Figura 1.1 alla pg. 7

Per collegare la base di supporto allineare le frecce sulla base con le frecce sul filtro.

Figura 1.3 alla pg. 7

Si udirà un click quando la base è nella posizione finale.

MONTAGGIO 04-900

Figura 2.1 alla pg. 8

Per montare il regolatore di pressione, avvitare il manometro nel corpo e serrarlo.

Figura 1.2 alla pg. 7

Ruotare il filtro in senso orario e bloccarlo in posizione.

NOTA

La base di supporto dispone di due sole posizioni, le frecce devono essere allineate prima del bloccaggio.

Figura 2.2 alla pg. 8

Collegare il giunto a sgancio rapido e il tappo in ottone al foro da 3/8" nella parte superiore del regolatore di pressione e serrarlo. Si raccomanda che il regolatore sia ben serrato prima di montarlo sul Filtro Aria Radex®. Utilizzare sigillanti per filettatura su tutti i fissaggi.

Figura 2.3 alla pg. 8

Posizionare il regolatore completo sulla parte superiore del coperchio del Filtro Aria Radex®.

Figura 2.4 alla pg. 8

Quando il regolatore completo è stato serrato in posizione è possibile posizionare la valvola di sovrappressione e serrarla.



AVVERTENZA! La valvola di sovrappressione deve essere collegata per proteggere il Filtro Aria Radex dalla sovra pressurizzazione.

COLLEGAMENTO DELL'ALIMENTAZIONE

Il Filtro Aria Radex® ha un ingresso NPT da 1". E' consigliabile collegare una valvola a sfera vicino all'ingresso in modo che l'unità possa essere disconnessa per la manutenzione. Connettere i fissaggi di ingresso e serrarli. Quando il Filtro Aria Radex® è completamente assemblato e collegato all'alimentazione dell'aria compressa, aprire la mandata d'aria e controllare i fissaggi per individuare eventuali perdite e serrare di conseguenza.



AVVERTENZA!

NON serrare eccessivamente i fissaggi in quanto un serraggio eccessivo potrebbe rompere la Fusione del Filtro.

MONTAGGIO 04-906

COLLEGAMENTO DELL'ALIMENTAZIONE

Figura 4.1 alla pg. 10

Per assemblare il Collettore a Sei Uscite, innanzitutto avvitare il Manometro 04-915 nel Collettore a 6 Uscite 04-965 e serrare.

Figura 4.3 alla pg. 10

La valvola di sovrappressione deve essere collegata per proteggere il Filtro Aria Radex® dalla sovra pressurizzazione.

MONTARE IL FILTRO OPZIONALE MICRO VAPORE

Figura 3.1 alla pg. 9

Per montare il filtro opzionale micro vapore 04-925, avvitare il nipplo riduttore 04-926 nel filtro micro vapore quindi avvitare nel l'ingresso del filtro e serrarlo, assicurandosi che il filtro micro vapore sia posizionato dritto in modo da poter drenare l'umidità dal contenitore di raccolta.

Figura 4.2 alla pg. 10

Avvitare tutti i sei Giunti 04-964 nel Collettore 04-965 e serrare.

Figura 4.4 alla pg. 10

Avvitare il Collettore a Sei Uscite completo sul coperchio del filtro e serrarlo.

MONTAGGIO 04-906 CONTINUA

Figura 4.5 alla pg. 11

Avvitare la Valvola di Sovrappressione 04-916 sul coperchio e serrare.

MONTAGGIO DEL REGOLATORE DI FLUSSO ALTO

Figura 4.6 alla pg. 11

Avvitare il Manometro 04-915 e il Connettore NPT da 1" 04-966 sul Regolatore di Flusso Alto 04-962 e serrare.

Controllare che TUTTI i fissaggi e le connessioni siano serrate. **IL FILTRO È ORA PRONTO PER L'UTILIZZO.**

FUNZIONAMENTO

PRESSIONE DELL'ARIA

La pressione dell'aria fornita al Filtro Aria Radex non deve superare 150 psig (1034 kpa). Quando si regola la pressione di uscita utilizzando il regolatore di pressione, fare riferimento al manuale di istruzioni del proprio respiratore per impostare la pressione dell'aria corretta.

TEMPERATURA DELL'ARIA

L'aria fornita al Filtro Aria Radex® non deve superare 140 gradi Fahrenheit (60 gradi Centigradi). Non connettere il Filtro Aria Radex® direttamente al collettore di uscita del compressore.

QUALITÀ DELL'ARIA

L'aria fornita attraverso il Filtro Aria Radex® deve essere conforme all'aria standard Tipo 1 come indicato nella compressed gas association commodity specification G – 7.1 e nel regolamento OSHA 1910.134 (Grado D o

NOTA

Se il Manometro sul Regolatore di Alto Flusso e il Manometro sul Collettore indicano più di 10 psi separatamente, la cartuccia è bloccata e deve essere sostituita.

Fare riferimento al manuale di istruzioni del proprio respiratore per gli intervalli di pressione per i propri respiratori, aumentare la pressione in funzione del numero di operatori.

Figura 4.7 alla pg. 11

Adesso avvitare il Regolatore completo nella porta idi INGRESSO sul corpo del Filtro Aria Radex® e serrare.

superiore), EN 12021, o AS/NZS 1715 in base ai regolamento dei governi locali. Il Filtro Aria Radex® non rimuove i gas tossici (ad esempio il monossido di carbonio) dall'aria fornita dal compressore. I requisiti dell'Aria Grado D sono i seguenti:

- 19.5-23% di ossigeno
- Massimo 5mg/m3 di Idrocarburi (condensati)
- Massimo 10ppm di Monossido di Carbonio
- Massimo 1000ppm di Diossido di Carbonio (Anidride Carbonica)
- Nessun altro gas tossico o contaminante a livelli che rendano l'aria pericolosa da respirare

Per i dettagli, fare riferimento alle C.G.A Commodity Specifications G71.

Devono essere eseguiti test frequenti dell'aria compressa per assicurare che risponda ai

requisiti dell'aria respirabile. Deve essere utilizzato anche un Dispositivo di Controllo dei Gas O8-400 ogni volta.

CONNESSIONI DELL'ARIA

Connettere fissaggi per l'aria che rispondano ai requisiti dell'OSHA per l'aria respirabile.

MANUTENZIONE

SOSTITUZIONE DELLA CARTUCCIA DEL FILTRO

La cartuccia del filtro deve essere controllata settimanalmente o più spesso in funzione dell'utilizzo e delle condizioni del sistema di alimentazione aria nel quale il Filtro Aria Radex® è installato. La cartuccia del filtro deve essere sostituita dopo un periodo di 3 mesi calcolato su 40 ore a settimana.

La cartuccia del filtro deve essere sostituita immediatamente nei seguenti casi:

1. Presenza di odore e/o sapore nell'aria che viene fornita al respiratore.
2. Presenza di umidità sui fissaggi di uscita.
3. Forte caduta di pressione attraverso il filtro.

DRENAGGIO DELL'UMIDITA'

L'acqua si accumulerà nel serbatoio del filtro e questo deve essere drenato aprendo la valvola a sfera. Questa operazione deve essere eseguita ogni giorno. Nei climi molto umidi o se c'è un'elevata quantità d'acqua nell'aria compressa fornita, si raccomanda di lasciare la valvola a sfera parzialmente aperta per spurgare l'umidità. Quando viene installato il sistema di auto drenaggio O4-924, l'umidità drenerà automaticamente fuori dall'unità.

La dimensione della filettatura in ingresso è 1" NPT. Tutte le connessioni devono essere sigillate utilizzando sigillante da filettature liquido. Se il Filtro Aria Radex® è inserito in una tubazione rigida, deve essere utilizzata una valvola di isolamento per consentire la depressurizzazione per la manutenzione.

DADI DEL COPERCHIO, O-RING

I dadi del coperchio del Filtro Aria Radex® devono essere controllati per assicurare che siano serrati. I dadi del coperchio O4-920 devono essere sostituiti quando viene sostituita la cartuccia del filtro. La forza di serraggio raccomandata per i dadi del coperchio è 10ft/lbs. Controllare gli o-ring O4-919 e sostituirli se danneggiati.

SOSTITUZIONE DELLA CARTUCCIA

1. Chiudere l'alimentazione dell'aria al Filtro Aria Radex® e drenare tutta l'aria dal corpo aprendo il rubinetto di drenaggio.
2. Rimuovere i dadi dal coperchio e separare il coperchio dal corpo.
3. Rimuovere la cartuccia e collocarla in un'area apposita.
4. Pulire l'interno del corpo del filtro per rimuovere ogni contaminante, non pulire con agenti chimici volatili.
5. Inserire una nuova cartuccia e rimontare il coperchio, serrare i dadi nella sequenza indicata in (Fig 5.1) serrare a 10ft / lb di coppia.
6. Riportare i dati sull'adesivo fornito con la cartuccia e applicarlo sul Filtro Aria Radex®.

LISTA COMPONENTI

Numero del Componente	Descrizione	Codice
1	RPB® Giunto a Disconnessione Rapida	04-911
2	Foro da 3/8"	04-912
3	Tappo da 3/8"	04-913
4	Regolatore di Pressione	04-914
5	Manometro (Anche per il 09-962)	04-915
6	Valvola di Sovrappressione da 150 psig (1034 kpa)	04-916
7	Nipplo Esagonale da 3/8"	04-917
8	Coperchio	04-918
9	O-ring (set di 2)	04-919
10	Cartuccia Filtro	APF 3100
11	Bullone, dado e rondella (set di 4)	04-920
12	Corpo	04-921
13	Rubinetto di Drenaggio	04-922
14	Base di Supporto	04-923
15	Unità di Auto Drenaggio*	04-924
16	Filtro Micro Vapore da 1/2"*	04-925
17	Nipplo Riduttore da 1" x 1/2"*	04-926
18	Pre Filtro della Linea Principale*	04-927
19	Gomito in Ottone*	04-928
20	Elemento Filtro per 04-927	04-929
21	Filtro Micro Vapore elemento per 04-925	04-930
22	Assemblaggio scarico automatico per 04-924	04-931
23	Sei coperchio del filtro di uscita	04-961
24	Regolatore di flusso eccellente eccellente	04-962
25	Giunto di Uscita	04-964
26	Collettore a Sei Uscite	04-965
27	Connettore Esagonale da 1" NPT	04-966
28	Boccola da 1" NPT a 3/4" BSP	04-967

*Parti speciali di ordinazione.

OTHER PRODUCTS

RPB® NOVA 3® RESPIRATOR

The RPB® NOVA 3® combines breakthrough protection technology with advanced comfort and functionality, surpassing even the most rigorous industry standards and the demands of the most quality-conscious companies. Designed to optimize safety and productivity, and to minimize worker downtime, the helmet has a host of features that maximize its lifetime value.



RPB® C40 CLIMATE CONTROL

Looking for an advanced climate control device that can heat and cool your supplied air just by the slide of a lever? Look no further than the RPB® C40. From the searing heat of an Arizona summer to a severe Scandinavian winter the RPB® C40 will keep you comfortable.



AIR QUALITY MONITORING

Do you need an intelligent gas monitor that can give you complete confidence in the air you and your employees are breathing? The RPB® GX4® Gas Monitor has the ability to detect up to 4 gases simultaneously, giving you total peace of mind.



1-866-494-4599
rpbsafety.com

rpb®
ADVANCING
YOUR SAFETY