

JetRoller™

333428H

EN

For spray rolled application of architectural paints and coatings.

Not approved for use in explosive atmospheres or hazardous locations.

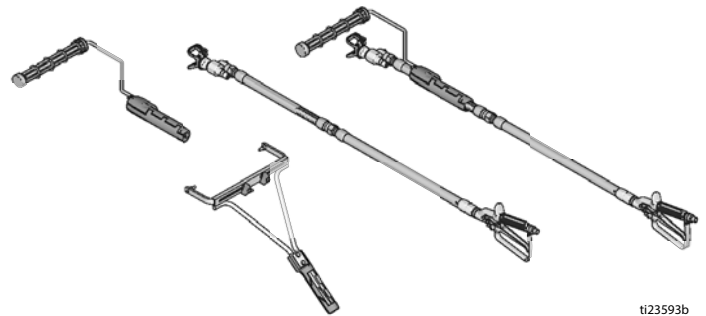
Model 24U170, 24U172, 24V820, 24V926, 24X605, 24V490, 24V491, 24V492, 24V493, 24W128, 24W129, 25A242

3600 psi (24.8 MPa, 248.2 bar) Maximum Working Pressure



Important Safety Instructions

Read all warnings and instructions in this manual and in your sprayer, in-line valve, and CleanShot™ manuals. Save all instructions.



ti23593b

Related Manuals	
309642	CleanShot™ Shutoff Valve
309315	Contractor™ In-Line Valve
308244	180° Spray Nozzle

Model	Roller Frame	Includes TIP	In-Line Valve	45° Swivel	CleanShot	180° Swivel
24U170	9"	LTX721		✓	✓	
24U172	9"		✓		✓	
24V820	9"		✓			✓
24V926	9.5"		✓		✓	
24X605	10.5"	LTX821	✓		✓	
24V490	18 cm	PAA515	✓		✓	
24V491	25 cm	PAA721	✓		✓	
24V492	18 cm	PAA515		✓	✓	
24V493	25 cm	PAA721		✓	✓	
24W128	12" - 18"	WR1223*	✓		✓	
24W129	12" - 18"		✓	✓		✓
25A242	18 cm	PAA515		✓		✓
25A841	9"	LTX721	✓		✓	






All rollers come with a 20" extension. See parts list for details.

* For 18" setting, see page 5 for additional tip options.



Warnings

The following warnings are for the setup, use, grounding, maintenance, and repair of this equipment. The exclamation point symbol alerts you to a general warning and the hazard symbols refer to procedure-specific risks. When these symbols appear in the body of this manual or on warning labels, refer back to these Warnings. Product-specific hazard symbols and warnings not covered in this section may appear throughout the body of this manual where applicable.

 DANGER	
	<p>ELECTROCUTION HAZARD</p> <p>To avoid death or serious injury, avoid contact with power lines.</p>
 WARNING	
	<p>FIRE AND EXPLOSION HAZARD</p> <p>Flammable fumes, such as solvent and paint fumes, in work area can ignite or explode. To help prevent fire and explosion:</p> <ul style="list-style-type: none"> • Use equipment only in well ventilated area. • Eliminate all ignition sources; such as pilot lights, cigarettes, portable electric lamps, and plastic drop cloths (potential static arc). • Keep work area free of debris, including solvent, rags and gasoline. • Do not plug or unplug power cords, or turn power or light switches on or off when flammable fumes are present. • Ground all equipment in the work area. See Grounding instructions. • Use only grounded hoses. • Hold gun firmly to side of grounded pail when triggering into pail. Do not use pail liners unless they are anti-static or conductive. • Stop operation immediately if static sparking occurs or you feel a shock. Do not use equipment until you identify and correct the problem. • Keep a working fire extinguisher in the work area.
	<p>SKIN INJECTION HAZARD</p> <p>High-pressure spray is able to inject toxins into the body and cause serious bodily injury. In the event that injection occurs, get immediate surgical treatment.</p> <ul style="list-style-type: none"> • Do not aim the gun at, or spray any person or animal. • Keep hands and other body parts away from the discharge. For example, do not try to stop leaks with any part of the body. • Always use the nozzle tip guard. Do not spray without nozzle tip guard in place. • Use Graco nozzle tips. • Use caution when cleaning and changing nozzle tips. In the case where the nozzle tip clogs while spraying, follow the Pressure Relief Procedure for turning off the unit and relieving the pressure before removing the nozzle tip to clean. • Do not leave the unit energized or under pressure while unattended. When the unit is not in use, turn off the unit and follow the Pressure Relief Procedure for turning off the unit. • Check hoses and parts for signs of damage. Replace any damaged hoses or parts. • This system is capable of producing 3600 psi. Use Graco replacement parts or accessories that are rated a minimum of 3600 psi. • Always engage the trigger lock when not spraying. Verify the trigger lock is functioning properly. • Verify that all connections are secure before operating the unit. • Know how to stop the unit and bleed pressure quickly. Be thoroughly familiar with the controls.

! WARNING



EQUIPMENT MISUSE HAZARD

Misuse can cause death or serious injury.

- Do not operate the unit when fatigued or under the influence of drugs or alcohol.
- Do not exceed the maximum working pressure or temperature rating of the lowest rated system component. See **Technical Data** in all equipment manuals.
- Use fluids and solvents that are compatible with equipment wetted parts. See Technical Data in all equipment manuals. Read fluid and solvent manufacturer's warnings. For complete information about your material, request MSDS from distributor or retailer.
- Do not leave the work area while equipment is energized or under pressure.
- Turn off all equipment and follow the **Pressure Relief Procedure** when equipment is not in use.
- Check equipment daily. Repair or replace worn or damaged parts immediately with genuine manufacturer's replacement parts only.
- Do not alter or modify equipment. Alterations or modifications may void agency approvals and create safety hazards.
- Make sure all equipment is rated and approved for the environment in which you are using it.
- Use equipment only for its intended purpose. Call your distributor for information.
- Route hoses and cables away from traffic areas, sharp edges, moving parts, and hot surfaces.
- Do not kink or over bend hoses or use hoses to pull equipment.
- Keep children and animals away from work area.
- Comply with all applicable safety regulations.



PRESSURIZED ALUMINUM PARTS HAZARD

Use of fluids that are incompatible with aluminum in pressurized equipment can cause serious chemical reaction and equipment rupture. Failure to follow this warning can result in death, serious injury, or property damage.

- Do not use 1,1,1-trichloroethane, methylene chloride, other halogenated hydrocarbon solvents or fluids containing such solvents.
- Do not use chlorine bleach.
- Many other fluids may contain chemicals that can react with aluminum. Contact your material supplier for compatibility.

CALIFORNIA PROPOSITION 65

This product contains a chemical known to the State of California to cause cancer, birth defects or other reproductive harm. Wash hands after handling.

Setup

Pressure Relief Procedure



Follow the Pressure Relief Procedure whenever you see this symbol.



This equipment stays pressurized until pressure is manually relieved. To help prevent serious injury from pressurized fluid, such as skin injection, splashing fluid and moving parts, follow the Pressure Relief Procedure when you stop spraying and before cleaning, checking, or servicing the equipment.

1. Engage trigger lock.
2. Remove roller handle.
3. Close the bleed-type master air valve. Disengage the trigger lock.
4. Rotate the CleanShot knob fully counter-clockwise to the FLUSH position.
5. Hold the metal extension firmly to a grounded metal pail. Trigger the gun to relieve pressure.
6. Engage the trigger lock.
7. Open all fluid drain valves in the system, having a waste container ready to catch drainage. Leave drain valve(s) open until you are ready to spray again.
8. If you suspect the spray tip or hose is clogged or that pressure has not been fully relieved:
 - a. **VERY SLOWLY** loosen tip guard retaining nut or hose end coupling to relieve pressure gradually.
 - b. Loosen nut or coupling completely.
 - c. Clear hose or tip obstruction.

1 Read your sprayer, in-line valve, and CleanShot manuals. Assemble JetRoller as shown. Snug extension fittings with wrenches. Then tighten another 1/4 turn [~ 100 in-lb (11 N·m)]. Attach to gun

2 For best results use sprayer pressure shown below. Always spray at the lowest pressure necessary to get desired results.

3 Adjust CleanShot position so spray fan hits below roller cover.

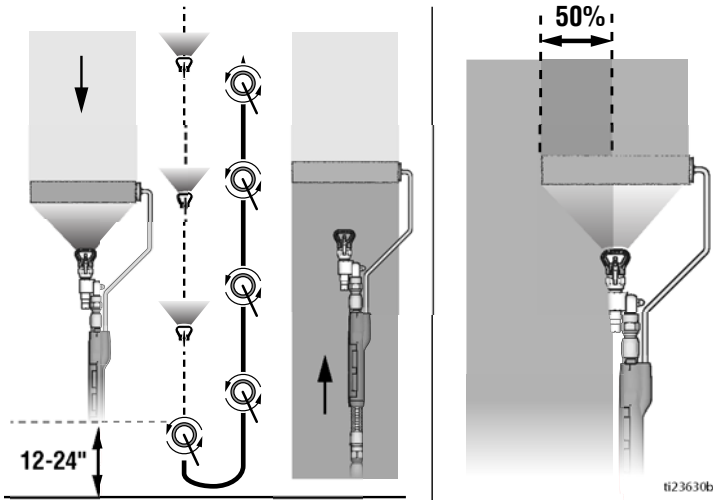
4 Quickly trigger once and release to check pattern. Pattern should be as wide as roller.
NOTE: CleanShot knob may be adjusted to optimize spray fan. See CleanShot manual for adjustment instructions.

To narrow pattern, loosen roller handle and move roller cover toward CleanShot. To widen pattern, loosen roller handle and move roller cover away from CleanShot.

5

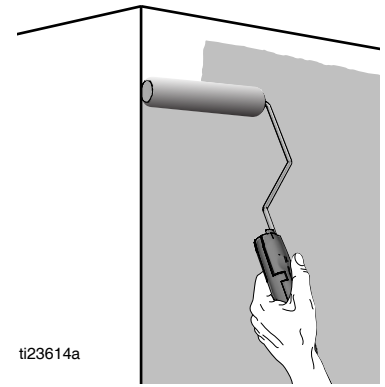
Spray and roll on down stroke, release trigger and roll on upstroke. For best results near floors and baseboards, release trigger 12-24" (30-60 cm) above floor and continue to roll to bottom on down stroke. Back roll on upstroke.

NOTE: See your in-line valve manual for changing the spray tip and for clearing a



6

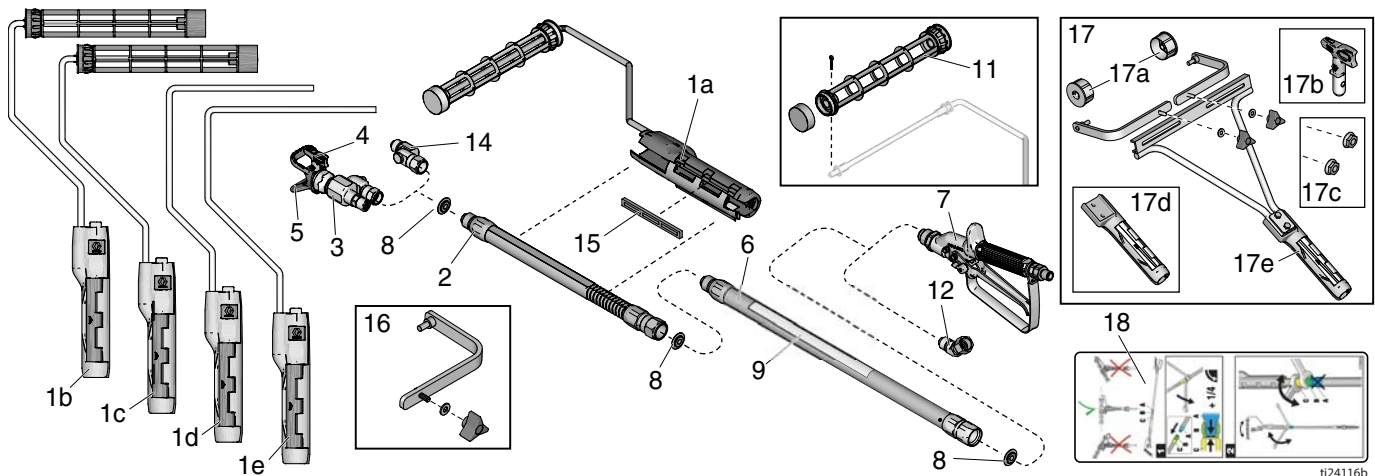
Hand roll sensitive wall areas (outside corners, adjacent walls,



ti23614a

7

Read your sprayer, in-line valve, and CleanShot manuals for cleaning instructions.



ti24116b

Part Ref. Number	Description	Qty	Part Ref. Number	Description	Qty	Part Ref. Number	Description	Qty
1a	24V829 HANDLE, roller, 9"	1	PAA821	TIP, spray, latex, rac x, 40 cm		12	224399 SWIVEL, 45°	1
1b	24V937 HANDLE, roller, 9.5"		WR1223	TIP, spray, latex, rac x, 18"		13▲	222385 TAG, warning (not shown)	1
1c	24X651 HANDLE, roller, 10.5"		5	246215 GUARD, rac x w/ seat and seal	1	14	235486 SWIVEL, 180° includes 8	1
1d	24V830 HANDLE, roller, 18 cm		6	232122 EXTENSION, roller, fixed (0.5M) (includes 8)	1	15	17A078 PAD, friction	1
1e	24V831 HANDLE, roller, 25 cm		7	244161 VALVE, in-line	1	16	24W131 KIT, arm, 18"	2
2	24V832 EXTENSION, JetRoller includes 8	1	8	15H622 GASKET	1	17	24W130 KIT, handle, roller 18" includes 16 qty 2, 17a-e	1
3	287030 VALVE, spray, CleanShot includes 8	1	9▲	17B476 LABEL, warning	1	17a	24X633 KIT, cap	1
4	LTX721 TIP, spray, latex, rac x, 9", 9.5", and 14"	1	11	24V833 KIT, repair, 9" roller frame	1	17b	WR1223 TIP, spray, rac x	1
	LTX821 TIP, spray, latex, rac x, 10.5"			24V938 KIT, repair, 9.5" roller frame		17c	17D651 KIT, nut, hex, flange, head	1
	PAA515 TIP, spray, latex, rac x, 18 cm					17d	24X632 HANDLE	1
	PAA721 TIP, spray, latex, rac x, 25 cm					17e	24X631 KIT, handle includes 16 qty 2	1
						18	17D695 TAG, instructions	1

▲ Replacement Danger and Warning labels, tags, and cards are available at no cost.

Graco Standard Warranty

Graco warrants all equipment referenced in this document which is manufactured by Graco and bearing its name to be free from defects in material and workmanship on the date of sale to the original purchaser for use. With the exception of any special, extended, or limited warranty published by Graco, Graco will, for a period of twelve months from the date of sale, repair or replace any part of the equipment determined by Graco to be defective. This warranty applies only when the equipment is installed, operated and maintained in accordance with Graco's written recommendations.

This warranty does not cover, and Graco shall not be liable for general wear and tear, or any malfunction, damage or wear caused by faulty installation, misapplication, abrasion, corrosion, inadequate or improper maintenance, negligence, accident, tampering, or substitution of non-Graco component parts. Nor shall Graco be liable for malfunction, damage or wear caused by the incompatibility of Graco equipment with structures, accessories, equipment or materials not supplied by Graco, or the improper design, manufacture, installation, operation or maintenance of structures, accessories, equipment or materials not supplied by Graco.

This warranty is conditioned upon the prepaid return of the equipment claimed to be defective to an authorized Graco distributor for verification of the claimed defect. If the claimed defect is verified, Graco will repair or replace free of charge any defective parts. The equipment will be returned to the original purchaser transportation prepaid. If inspection of the equipment does not disclose any defect in material or workmanship, repairs will be made at a reasonable charge, which charges may include the costs of parts, labor, and transportation.

THIS WARRANTY IS EXCLUSIVE, AND IS IN LIEU OF ANY OTHER WARRANTIES, EXPRESS OR IMPLIED, INCLUDING BUT NOT LIMITED TO WARRANTY OF MERCHANTABILITY OR WARRANTY OF FITNESS FOR A PARTICULAR PURPOSE.

Graco's sole obligation and buyer's sole remedy for any breach of warranty shall be as set forth above. The buyer agrees that no other remedy (including, but not limited to, incidental or consequential damages for lost profits, lost sales, injury to person or property, or any other incidental or consequential loss) shall be available. Any action for breach of warranty must be brought within two (2) years of the date of sale.

GRACO MAKES NO WARRANTY, AND DISCLAIMS ALL IMPLIED WARRANTIES OF MERCHANTABILITY AND FITNESS FOR A PARTICULAR PURPOSE, IN CONNECTION WITH ACCESSORIES, EQUIPMENT, MATERIALS OR COMPONENTS SOLD BUT NOT MANUFACTURED BY GRACO. These items sold, but not manufactured by Graco (such as electric motors, switches, hose, etc.), are subject to the warranty, if any, of their manufacturer. Graco will provide purchaser with reasonable assistance in making any claim for breach of these warranties.

In no event will Graco be liable for indirect, incidental, special or consequential damages resulting from Graco supplying equipment hereunder, or the furnishing, performance, or use of any products or other goods sold hereto, whether due to a breach of contract, breach of warranty, the negligence of Graco, or otherwise.

FOR GRACO CANADA CUSTOMERS

The Parties acknowledge that they have required that the present document, as well as all documents, notices and legal proceedings entered into, given or instituted pursuant hereto or relating directly or indirectly hereto, be drawn up in English. Les parties reconnaissent avoir convenu que la rédaction du présente document sera en Anglais, ainsi que tous documents, avis et procédures judiciaires exécutés, donnés ou intentés, à la suite de ou en rapport, directement ou indirectement, avec les procédures concernées.

Graco Information

For the latest information about Graco products, visit www.graco.com.

For patent information, see www.graco.com/patents.

TO PLACE AN ORDER, contact your Graco distributor or call 1-800-690-2894 to identify the nearest distributor.

*All written and visual data contained in this document reflects the latest product information available at the time of publication.
Graco reserves the right to make changes at any time without notice.*

Original instructions. This manual contains English. MM 333428

Graco Headquarters: Minneapolis

International Offices: Belgium, China, Japan, Korea

GRACO INC. AND SUBSIDIARIES • P.O. BOX 1441 • MINNEAPOLIS MN 55440-1441 • USA

Copyright 2014, Graco Inc. All Graco manufacturing locations are registered to ISO 9001.

www.graco.com

Revision H, May 2019