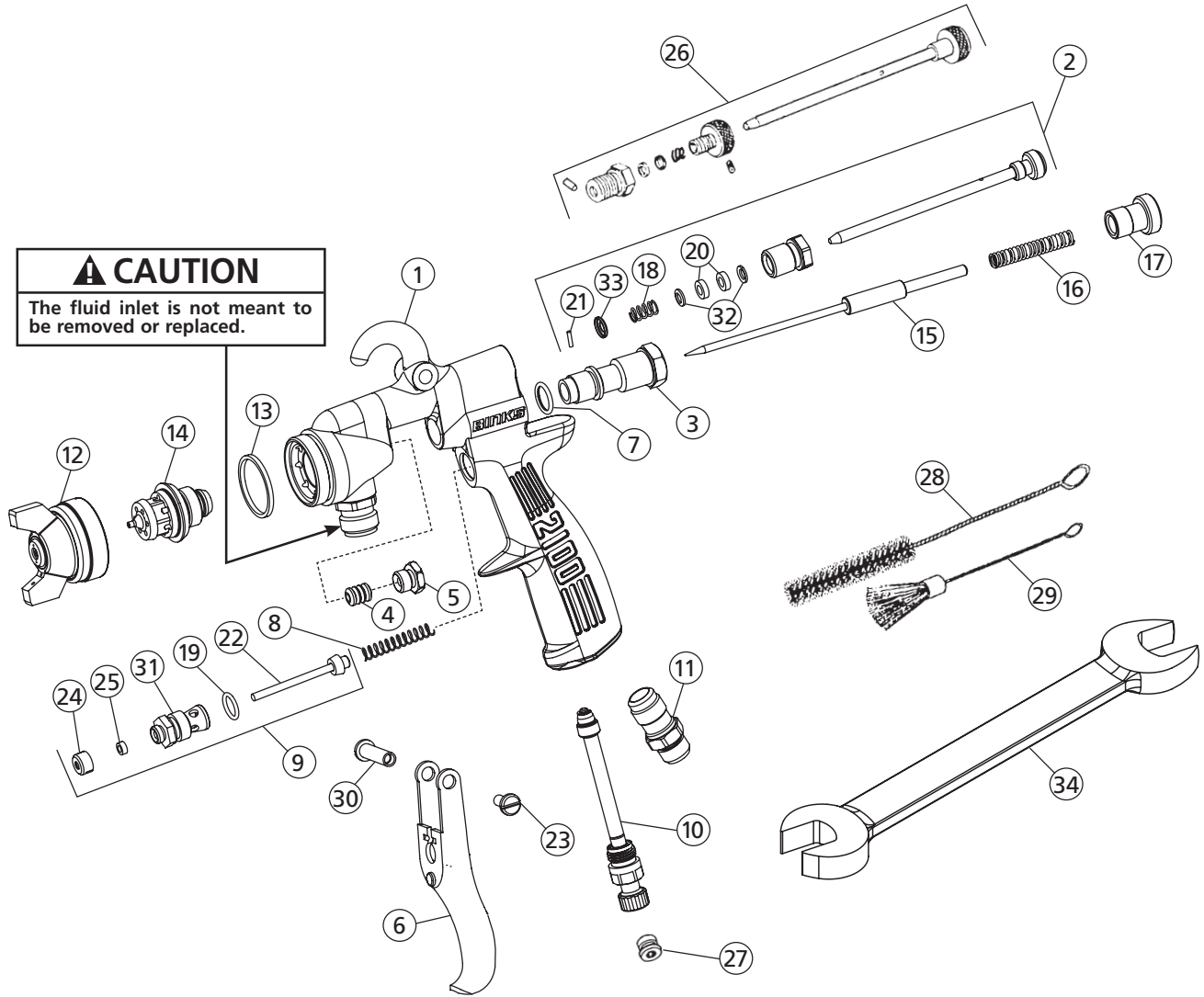


Binks MODEL 2100™ SIPHON SPRAY GUN



CAUTION
The fluid inlet is not meant to be removed or replaced.

PARTS LIST

When ordering, please specify Part No.

ITEM NO.	PART NO.	DESCRIPTION	QTY.	ITEM NO.	PART NO.	DESCRIPTION	QTY.
1	—	2100 GUN BODY (NOT SOLD SEPARATELY)	1	19	20-3757+	O-RING	1
2	54-3347	SIDE PORT CONTROL ASSEMBLY	1	20	54-738-5○+	PACKING	2
3	54-1013	MATERIAL BODY	1	21	54-1014-5○+	PIN	1
4	2-28-5○+*	PTFE PACKING	1	22	54-1025+	VALVE STEM ASSEMBLY	1
5	56-164	PACKING NUT	1	23	82-126-5○	SCREW	1
6	54-5464	2100 TRIGGER	1	24	82-135-5○	NUT	1
7	20-5285-5○+	O-RING VITON	1	25	82-158-5○+	PACKING	1
8	54-750-5○+	SPRING	1	26	54-1780•	QUICK CHANGE SIDEPORT CONTROL... (SOLD SEPARATELY AS ASSEMBLY)	1
9	54-1236	AIR VALVE ASSEMBLY	1	27	JGA-132•	PLUG (SOLD SEPARATELY)	1
10	SGK-457-K	AIR ADJUSTMENT VALVE	1	28	82-469	ROUND BRUSH	1
11	54-768	AIR CONNECTION	1	29	OMX-88	FLAT BRUSH	1
12	*SEE FOOTNOTE	AIR NOZZLE	1	30	54-1020	STUD	1
13	54-918-5○+	GASKET	1	31	54-1010	VALVE BODY	1
14	*SEE FOOTNOTE	FLUID NOZZLE	1	32	54-1016-5	WASHER	2
15	*SEE FOOTNOTE	FLUID NEEDLE	1	33	54-1015-5	WASHER	1
16	54-1347-5○+✓	SPRING	1	34	5-476	FLUID NOZZLE WRENCH	1
17	54-1007	CONTROL SCREW	1				
18	54-304-5○+	SPRING	1				

○ Available only as 5-Pack.
 + Indicates parts in 6-229 Repair Kit.
 * Alternate needle packing (optional) 54-747-5.
 • Accessory item.
 ✓ Also available: Heavy Duty Spring 54-1372, not furnished. Please order separately.

* Be sure to specify number stamped on air nozzle and fluid nozzle, or see Nozzle Selection Chart.