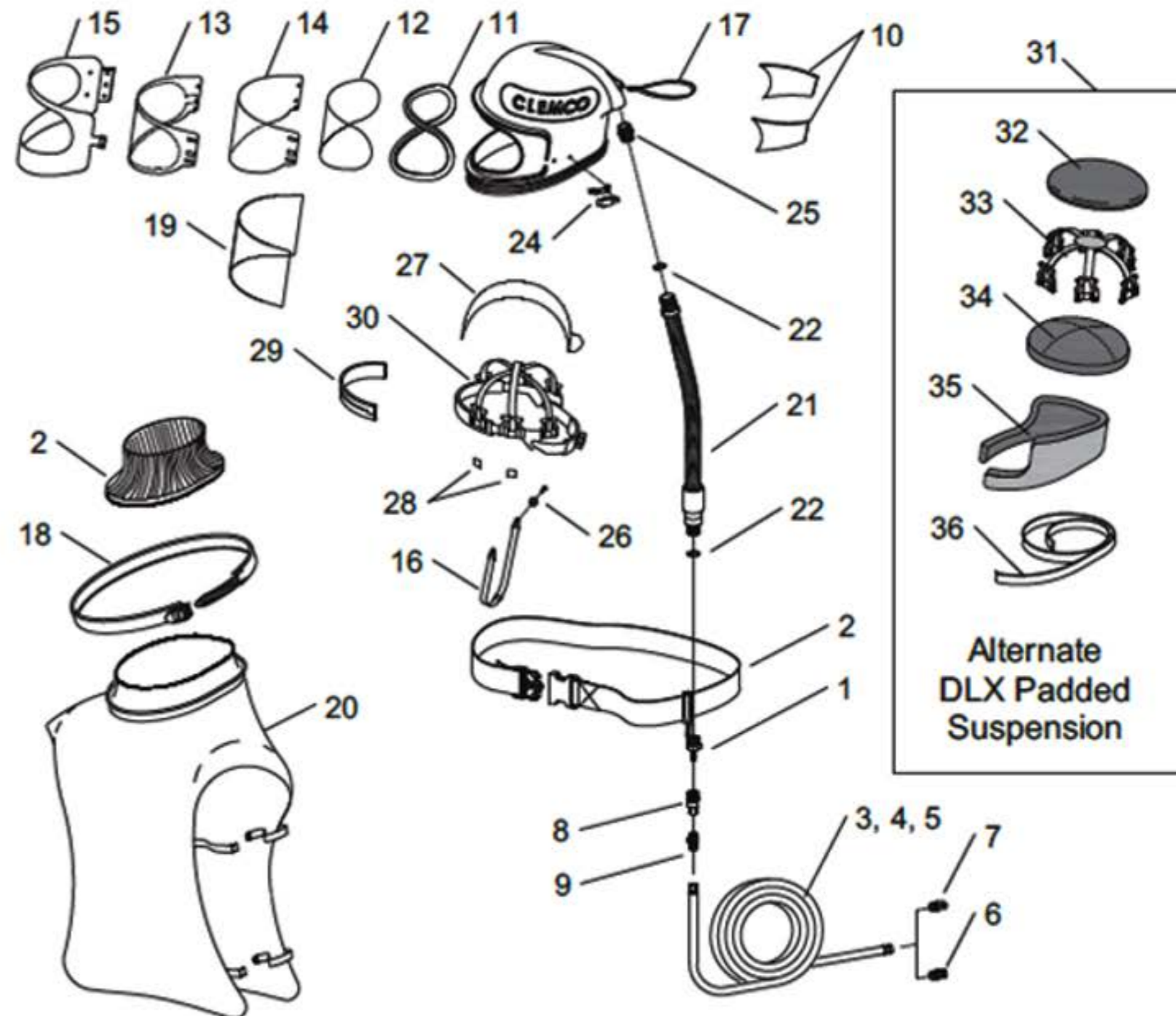


Item	Description	Stock No.
1.	Constant-flow connector, HP (alternate), without belt	21415
2.	Belt, 2" web with buckle	04430
3.	Respirator hose, 3/8" x 25 ft. (alternate), includes items 6 and 7	04397
4.	Respirator hose, 3/8" x 50 ft. (alternate), includes Items 6 and 7	04415
5.	Respirator hose, 3/8" x 100 ft. (alternate), includes items 6 and 7	04398
6.	Adaptor, 3/8" hose to 3/8 NPT	00022
7.	Union, 3/8" hose to 3/8" hose	01020
8.	Disconnect, 1/4 NPT female	00025
9.	Adaptor, 3/8" hose to 1/4 NPT	01019
10.	Acoustical foam kit, both sides Not used with padded suspension	04369
11.	Gasket, window	23819
12.	Inner lens, .040", package of 5	04367
13.	Outer lens, .0075", perf'ed, package of 25	04361
14.	Intermediate lens, .020", package of 5	24943
	package of 25	04373
15.	Window frame assembly	24012
16.	Chin strap	04460
17.	Handle strap	03623
18.	Cape attachment band	23801
19.	Outer lens, .015", rectangular package of 25	24005
20.	Cape, grey, includes item 23	23818
21.	Breathing tube assembly w/ (2) item 22	22811
22.	O-ring, 7/8" OD, 2 required	22815
23.	Inner collar	08740
24.	Latch kit, window frame includes base, screws and nuts	24006
25.	Inlet fitting, breathing tube	23804
26.	Chin strap holder kit (2 w/ fasteners)	24008
27.	Partition, air baffle	23811
28.	Clips, suspension (pack of 4)	24773
29.	Sweatband, used with item 30	23817
30.	Web suspension with sweatband (alternate)	23802
31.	DLX padded suspension kit (alternate) includes items 27 and 32 thru 36	25189
32.	Pad, top	25181
33.	Suspension web (for DLX only)	25184
34.	Pad, middle	25182
35.	Pad, side black/grey fits most head sizes	25183
	black/blue for smaller head sizes	25187
36.	Hook-fastener tape, 1" adhesive backed, 3-ft. used, specify feet required	25185

Apollo 600 HP Supplied-Air Respirators



Item	Description	Stock No.
1.	Constant-flow connector, LP w/o belt	21429
2.	Belt, 2" web with buckle	04430
3.	Respirator hose, 1/2" x 50-foot (alternate)	22510
	1/2" x 100-foot (alternate)	21413
4.	Cape attachment band	23801
5.	Acoustical foam kit, both sides not used with padded suspension	04369
6.	Gasket, window	23819
7.	Inner lens, .040", package of 5	04367
8.	Outer lens, .0075", perf'ed, pack of 25	04361
9.	Intermediate lens, .020", package of 5	24943
	package of 25	04373
10.	Window frame assembly	24012
11.	Chin strap	04460
12.	Handle strap	03623
13.	Partition, air baffle	23811
14.	Outer lens, .015", rectangular, pkg. of 25	24005
15.	Cape, black with inner collar	23818
16.	Breathing tube assembly w/ (2) item 17	22811
17.	O-ring, 7/8" OD, 2 required	22815
18.	Inner collar, cape	08740
19.	Latch kit, window frame includes base, screws and nuts	24006
20.	Inlet fitting	23804
21.	Chin strap holder kit (2 w/ fasteners)	24008
22.	Clips, suspension (pack of 4)	24773
23.	Sweatband, used with item 24	23817
24.	Web suspension with sweatband (alternate)	23802
25.	DLX padded suspension kit (alternate) includes items 13 and 26 thru 30	25189
26.	Pad, top	25181
27.	Suspension web	25184
28.	Pad, middle	25182
29.	Pad, side black/grey fits most head sizes	25183
	black/blue for smaller head sizes	25187
30.	Hook-fastener tape, 1" adhesive backed, 3-ft. used, specify feet required	25185

