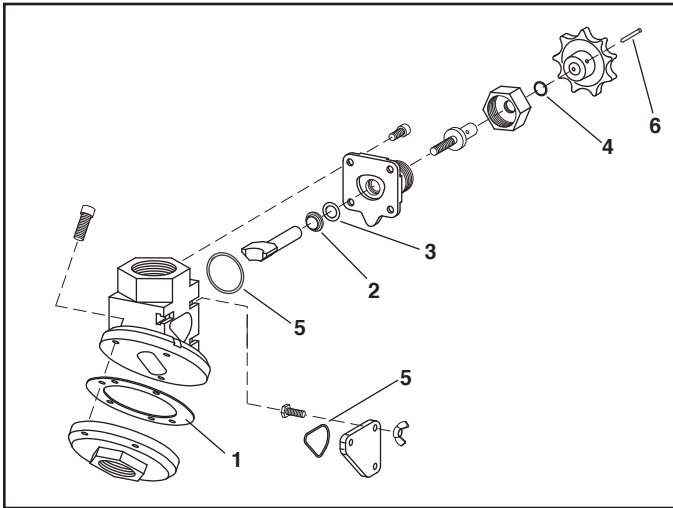


**22854 SERVICE KIT
QUANTUM METERING SEGMENT**

Refer to owner's manual for service instruction.

Item	Qty	Description
1.	1	Flange gasket
2.	1	Wiper seal
3.	1	O-ring, 3/4 (OD nominal)
4.	1	O-ring, 5/8 (OD nominal)
5.	2	O-ring, 1-1/2" (ID nominal)
6.	1	Roll pin



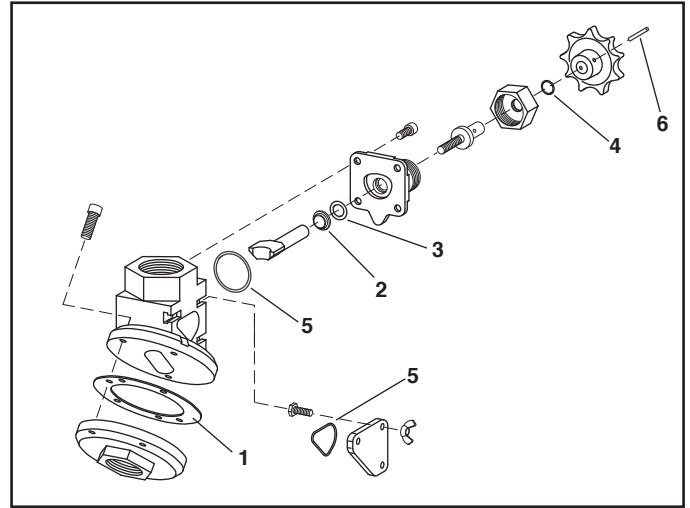
CLEMCO®

Clemco Industries Corp. • Washington, MO 63090
 Ph.: (636) 239-4300 • Fax: (800) 726-7559
 email:info@clemcoindustries.com • www.clemcoindustries.com
 Stock No. 22881 0400 Rev. A 04/14

**22854 SERVICE KIT
QUANTUM METERING SEGMENT**

Refer to owner's manual for service instruction.

Item	Qty	Description
1.	1	Flange gasket
2.	1	Wiper seal
3.	1	O-ring, 3/4 (OD nominal)
4.	1	O-ring, 5/8 (OD nominal)
5.	2	O-ring, 1-1/2" (ID nominal)
6.	1	Roll pin



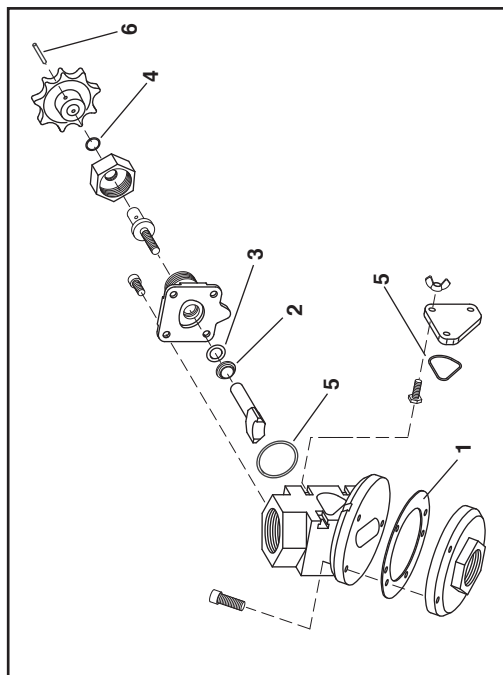
CLEMCO®

Clemco Industries Corp. • Washington, MO 63090
 Ph.: (636) 239-4300 • Fax: (800) 726-7559
 email:info@clemcoindustries.com • www.clemcoindustries.com
 Stock No. 22881 0400 Rev. A 04/14

**22854 SERVICE KIT
QUANTUM METERING SEGMENT**

Refer to owner's manual for service instruction.

Item	Qty	Description
1.	1	Flange gasket
2.	1	Wiper seal
3.	1	O-ring, 3/4 (OD nominal)
4.	1	O-ring, 5/8 (OD nominal)
5.	2	O-ring, 1-1/2" (ID nominal)
6.	1	Roll pin



CLEMCO®

Clemco Industries Corp. • Washington, MO 63090
 Ph.: (636) 239-4300 • Fax: (800) 726-7559
 email:info@clemcoindustries.com • www.clemcoindustries.com
 Stock No. 22881 0400 Rev. A 04/14